

ARB INTENSITY
S O L I S



USER GUIDE

SPECIFICATION AND FEATURES

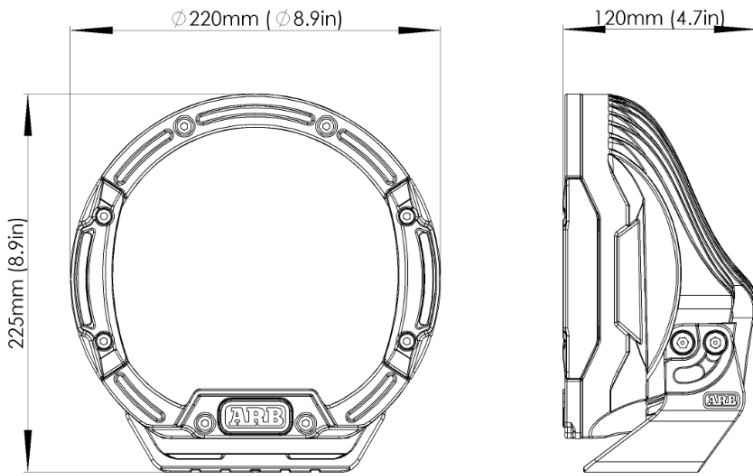


FIGURE 1.

- 36 Osram LEDs. (6 X10w & 30 X 4w)
- Raw Lumens 18,178LM.
- Effective Lumens 9,546LM Spot, 8,333LM Flood.
- Colour Temperature: 5700 Kelvin.
- Distance @ 1Lux – 1032m Spot, 729m Flood (Single light).
- 11° full beam width Flood.
- 6° full beam width Spot.
- Over Voltage Protection.
- 50,000+ Hour LED life span.
- Operating Temperature -40°C to +65°C, -40°F to +149°F.
- Protected against RFI/EMC interference.
- Integrated thermal management.
- High pressure die-cast aluminium body and mount.
- Virtually unbreakable polycarbonate lens.
- UV stable moulded polycarbonate lens cover.
- Multiple position mount.
- Durable UV stable powder coat.
- Pressure equalisation breather.
- Dust and waterproof to IP68.
- High power Amphenol AT06 waterproof connector.
- Tested to MIL810-STDG for vibration.
- RoHS compliant.
- Input voltage 10-30V DC.
- Power draw 165W.
- Current draw 12.4 Amps @ 13.2V.

CARE AND MAINTENANCE

- There are no user serviceable components inside the light - DO NOT disassemble.
- Clean with warm soapy water and a sponge or soft brush. DO NOT use solvents, scourers or hard bristle brushes. DO NOT use harsh wash chemicals, these will remove the protective clear coat from the lens and lens cover. Always rinse thoroughly.
- Remove the clear cover periodically to clean the light lens.
- Ensure all electrical connectors and wiring loom are secured away from sharp edges and hot surfaces.
- Regularly check all mounting and adjusting bolts to ensure they are secured and tight.
- If your light requires further service or repair, return it to your local ARB distributor.

USING THE TOUCHPAD

The digitally controlled touchpad is a unique part to the ARB Intensity Solis driving lights and works in conjunction with the vehicle high beam circuit and vehicle high beam dash lamp. The touchpad will illuminate when the illumination circuit is activated in the vehicle. To activate ARB Intensity Solis driving lights, press the ARB logo, the ARB logo will illuminate WHITE and the lights are then actively controlled (on/off) with the vehicle high beam circuit. To deactivate the ARB Intensity Solis driving lights so they will not operate with the high beam circuit, press the ARB logo on the touchpad, the ARB logo will illuminate from WHITE to RED indicating the system is in standby mode.

The touchpad intensity level operates by using the up and down buttons as per Figure 2 and will change the intensity of the light output on each press of the up/down button. The intensity bar will illuminate in steps indicating which setting is selected. The touchpad will remember the last known intensity setting and revert to this setting until changed by the user.

WIRING HARNESS

ARB recommends the use of the ARB Intensity Solis Wiring Loom (Part number: SJBHARN). This harness is designed specifically for the ARB Intensity Solis Driving Lights and includes the in-vehicle Touchpad for dim control.

TOUCHPAD

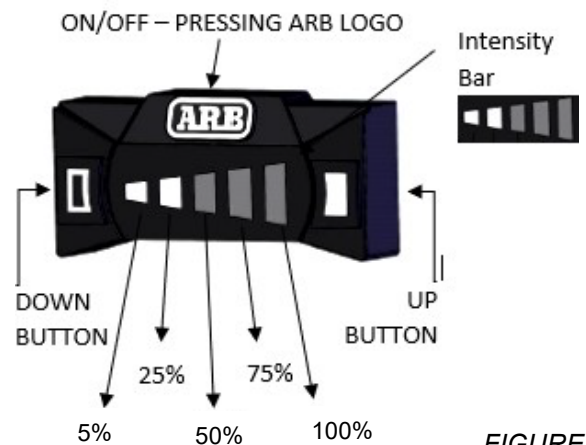


FIGURE 2

The above image shows the touchpad with 25% intensity setting selected.

SUPPLIED PARTS

1x Light body (Spot or Flood)	3x M8x30 socket head cap screws
1x Clear cover	3x M8 large washer
1x Mount bracket	3x M8 nyloc nut
1x Security torx key tool	4x M8x30 Torx drive button head screw
1x User guide.	4x M8 square nut
2x Nut cover	4x M8 spring washer
2x Replacement bezel insert	7x M8 washer

TABLE 1.

INSTALLATION

Both vertical and horizontal orientations are possible as shown in Figure 3. Choose the required orientation and following the steps below for installation and adjustment.

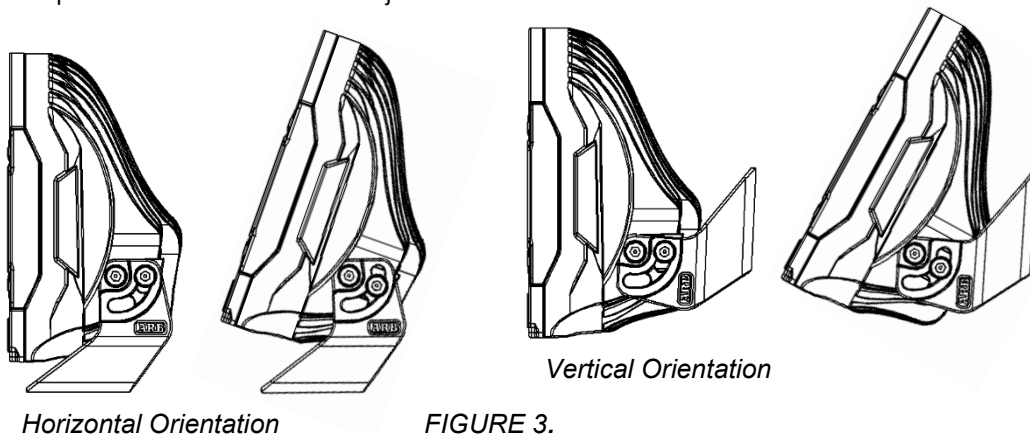


FIGURE 3.

TORQUE SETTINGS

M5 bolts	6.0 Nm / 4.5 lbft
M8 bolts	22 Nm / 16 lbft

TABLE 2.

Step 1.

Place the mount onto the bull bar or flat mounting surface. Align with suitable mounting holes on the bull bar. Where no holes are available, use mount to mark new holes and drill accordingly including rust prevention.

Use three M8x30 socket head cap screws, M8 washers, M8 large washers and M8 nyloc nuts to secure the mount as per Figure 4.

Insert the centre screw into the mount and keep loose to allow for adjustment. Align the mount forward facing and ensure the light will illuminate straight down the road. Insert the remaining two screws and tighten all screws to the torque specified in Table 2.

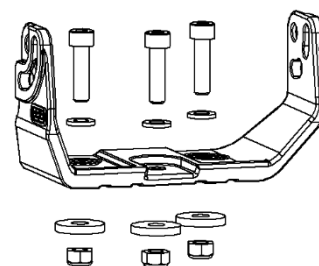


FIGURE 4.

Step 2.

Place the light body on a clean flat surface with the lens facing down. Insert the two M8 square nuts into the light body rear cavity. Insert the nut covers to hold the nuts in position as per Figure 5. Complete for the opposite rear cavity.

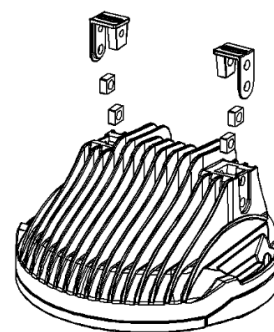


FIGURE 5.

Step 3.

Place the light body into the mount and align the mount and light body holes as shown in Figure 6. Insert four M8 washers, M8 spring washers and M8x30 Torx drive button head screws. Loosely tighten to allow for adjustment later.

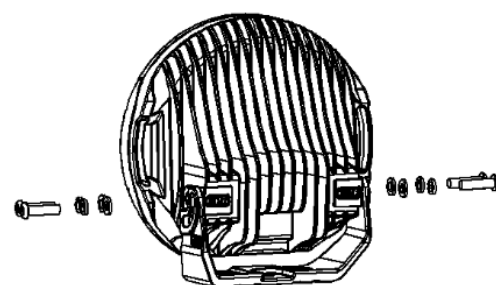


FIGURE 6.

Step 4. (Adjustment).

Point the vehicle toward a flat wall and switch on the driving lights.

For horizontal adjustment, firstly remove the light body and then loosen the three mount bolts. Refit the light body. Complete the horizontal adjustment and then tighten the centre mount bolt to lock the correct mount position. Remove light body from mount and tighten all three mount bolts. Reinstall the light body to the mount as previously described, keep screws loose for vertical adjustment.

For vertical adjustment, measure the light output height on the wall and compare with the driving light height on the vehicle. The two measurements should be similar depending on user preference. Once satisfied with the height position, use the security tool provided to tighten the four security bolts fixing the light body to the mount.

Changing the Bezel inserts.

Supplied with the light are two replacement bezel inserts. These bezel inserts can be replaced to change the light appearance without effecting the water proof seal. For each bezel insert, remove the two retaining screws. The bezel insert can now be removed from the light as per Figure 7. Install the replacement bezel insert noting the bezel inserts are handed and the correct bezel insert must be installed. Insert the two retaining screws and tighten to the torque specified in Table 2. Complete for the opposite bezel insert.

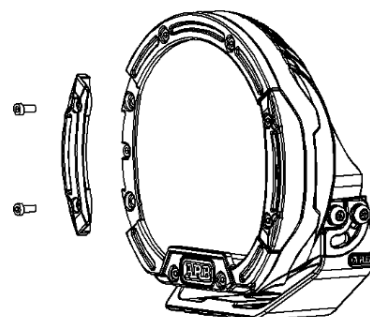


FIGURE 7.

WARRANTY

ARB PRODUCTS WARRANTY AGAINST DEFECTS

ARB warrants the ARB Products against defects in workmanship and materials for the Warranty Period. If defective workmanship or materials become apparent in the Warranty Period, ARB will replace or repair the defective Product.

The benefits to the customer given by this warranty are in addition to other rights and remedies of the customer under a law in relation to the goods or services to which the warranty relates.

1. In this warranty:
 - a. ARB means ARB Corporation Limited (ABN 31 006 708 756) of 42-44 Garden St, Kilsyth Victoria 3137
 - b. ARB Outlet means an outlet which has been authorised by ARB to sell and fit ARB Products
 - c. ARB Product means products which ARB manufactures or for which ARB is the exclusive supplier
 - d. Product Information means the information about the relevant ARB Product which may be contained in any of: documentation provided with the ARB Product, owner's manual, operating manual, service manual or the manufacturer's manual or labels attached to the ARB Product
 - e. Warranty Period means, in respect of an ARB Product, the period that this warranty against defects applies and which is set out in paragraph 8.
2. To be entitled to claim the warranty, the customer must:
 - a. Have the ARB Product fitted in accordance with the Product Information
 - b. Carry out normal care and maintenance of the ARB Product, including any required by the Product Information
 - c. Provide proof of purchase of the ARB Product
 - d. Make the claim in the Warranty Period.
3. The warranty will not apply in circumstances where the defect is caused by:
 - a. Unusual, improper or negligent use or misuse of the ARB Product
 - b. Incorrect fitting of the ARB Product other than at an ARB Outlet
 - c. Use of non-genuine ARB components in or with the ARB Product
 - d. Use of the ARB Product outside of the requirements of the Product Information.
4. The procedure for the customer to claim the warranty is:
 - a. Return the ARB Product to the nearest ARB Outlet or contact ARB to arrange a time to bring a vehicle fitted with the ARB Product to an ARB Outlet for inspection. Contact details are in paragraph 7 below if further information is required Regarding local outlet details
 - b. Bring proof of purchase of the ARB Product to the ARB Outlet
 - c. ARB will review the ARB Product and advise whether the conditions of this warranty have been met
5. Where ARB accepts a customer's warranty claim, ARB will rectify any defective workmanship or materials at its own expense.
6. Expenses incurred by the customer in claiming the warranty are to be borne by the customer.
7. This warranty is given by:

ARB Corporation Limited
42-44 Garden Street Kilsyth
VIC 3137, Australia.
Phone: 03 9761 6622.
Fax: 03 9721 9090.
www.arb.com.au
8. The period within which a defect in the ARB Products must appear if the customer is to be entitled to claim the warranty is 3 years starting on the date of purchase unless:
 - a. The ARB Product is used in Commercial Use. Commercial Use means use in industry or commerce including (without limitation) use in the mining industry or as a hire vehicle. In this case, the Warranty Period is 1 year
9. The warranty against defects contained in this document replaces any other warranty against defects or voluntary warranty given in relation to the Products.

Our goods come with guarantees that cannot be excluded under the Australian Customer Law. You are entitled to a replacement or refund for a major failure and compensation for any other reasonable foreseeable loss or damage. You are also entitled to have the goods repaired or replaced if the goods fail to be of acceptable quality and the failure does not amount to a major failure.