

SS79HFE

SAFARI V-SPEC SNORKEL
To Suit: Toyota Land Cruiser 70 series (Wide Nose)
Suits: 4.0L V6 Petrol (1GR-FE engine)
Released: August 2014 (Update Model)



11/04/2016

ITEM	PART NO	DESCRIPTION	QTY
1	330-133-700	BODY - SNORKEL (SS76HF)	1
2	000-135-800	3.5" AIR RAM ASSEMBLY	1
3	330-032-700	BRACKET - UPPER MOUNTING	1
4	000-002-100	BOLT - HEX - 6mm x 1.0 x 14mm (SEMS)	2
5	000-951-300	SCREW - S/T - 4.2mm x 16mm - S/S	3
6	000-960	INSERT - PLASTIC	3
7	000-110	STUD - 8mm x 1.25 x 25mm - S/S	5
8	000-311-300	WASHER - BODY - 8mm x 30mm - S/S	5
9	000-205-300	NUT - NYLOC - 8mm x 1.25mm - S/S	5
10	330-024-850	HOSE - AIR ENTRY	1
11	000-909	CLAMP - HOSE - 80/100mm - S/S	1
12	000-910	CLAMP - HOSE - 90/110mm - S/S	1
13	000-914/B	CLAMP - HOSE - No.56 (BLACK)	1
14	330-017-700	TEMPLATE - GUARD PANEL	1
15	000-953-030	RUBBER EDGING - 300mm	1

Installation Guide

Fitment to:

- Right Hand Side

Fitting Time:

- 120 min

Special Tools:

- 86mm Hole saw
- Body Saw (Reciprocating)
- Step Drill
- Loctite 243 (Thread Lock)
- Masking Tape
- Touch-up Paint

Prior to commencing the installation, it is the installer's responsibility to verify that all components and particularly the guard panel template (Item 14) are correct.

1

Remove the following in accordance with the factory service manual:

- Air Cleaner Assembly
- Inner Guard Plate



Inner Guard Plate

2

Remove and Discard the air cleaner inlet duct.



Remove and discard the foam sealing tape from the air cleaner inlet snout.



Tape the guard panel template (Item 14) to the rear and upper edges of the right hand guard panel.

With the template correctly positioned, mark all of the hole locations and the two cut out sections with a felt tip pen. Remove the template.



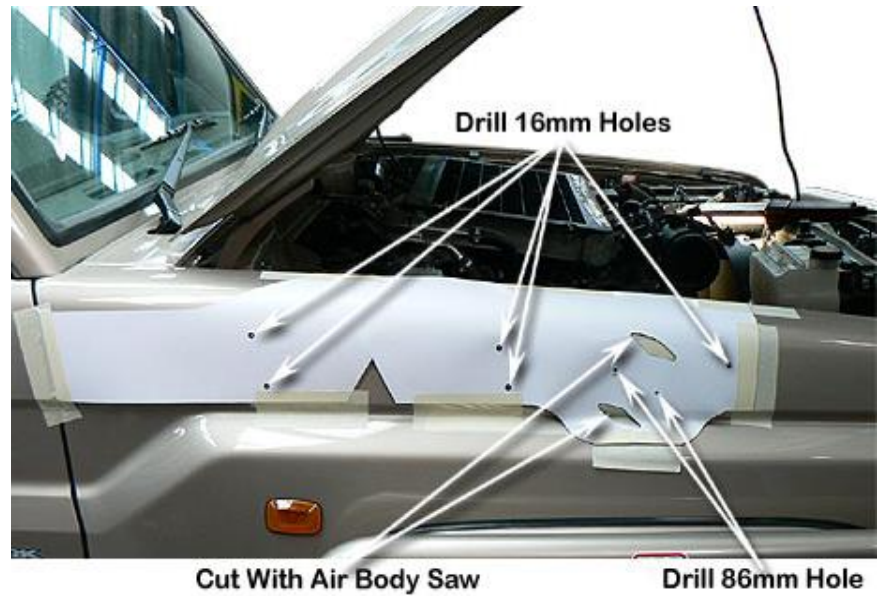
Drill a pilot hole for each marked hole positions.

Drill the 2 main hole positions with a 86mm hole saw.

Using the body saw, cut away the two marked sections of the guard panel.

Drill the 5 mounting hole positions to 16mm with a step drill.

Deburr and paint holes to prevent rust.

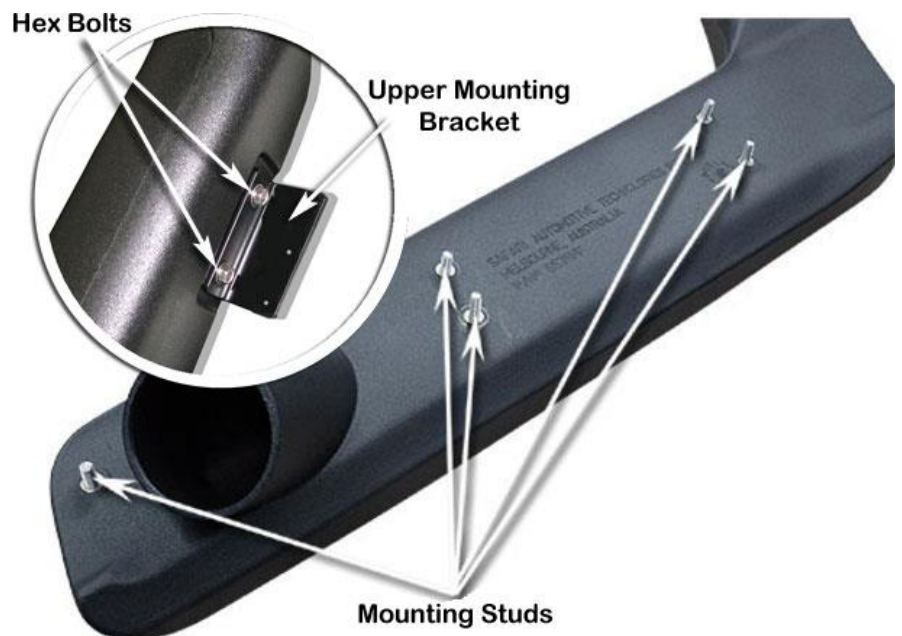


Cut With Air Body Saw

Drill 86mm Hole

Install the upper mounting bracket (item 3) to the snorkel body (item 1) with hex bolts (item 4).

Apply loctite 243 to each of the stainless steel mounting studs (item 7) and install the studs finger tight into the snorkel body (item 1) mounting inserts.



Place a strip of masking tape along the A-pillar panel.

Carefully install the snorkel body (item 1) to the guard panel.

With the snorkel body correctly positioned, mark the three upper mounting bracket hole positions onto the masking tape as shown.

Hint: if necessary push the top of the snorkel body towards the windscreen rubber, so that the edge of the upper mounting bracket has approximately 1mm gap to the windscreen rubber.



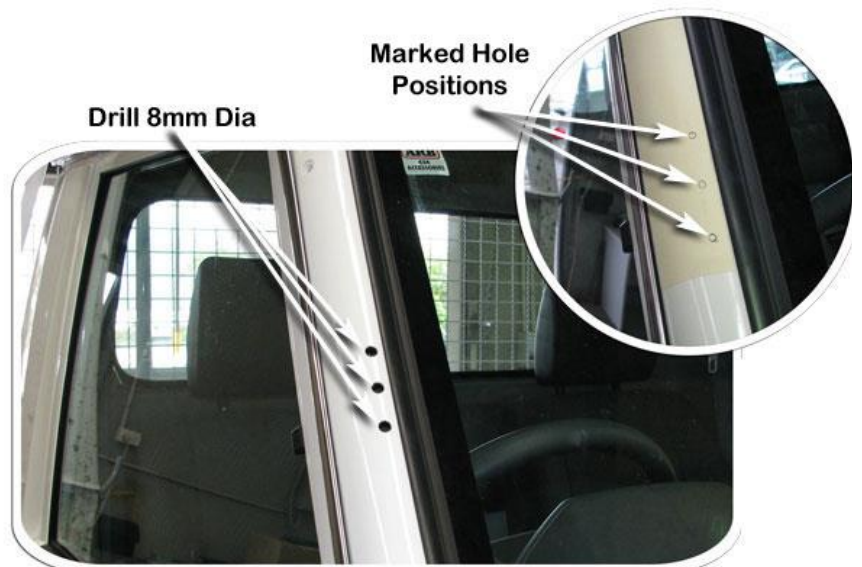
Mark Hole Positions

Remove the snorkel body (item 1) from the vehicle and remove the upper mounting bracket (item 3) from the snorkel body.

Drill a pilot hole at each of the three marked hole positions.

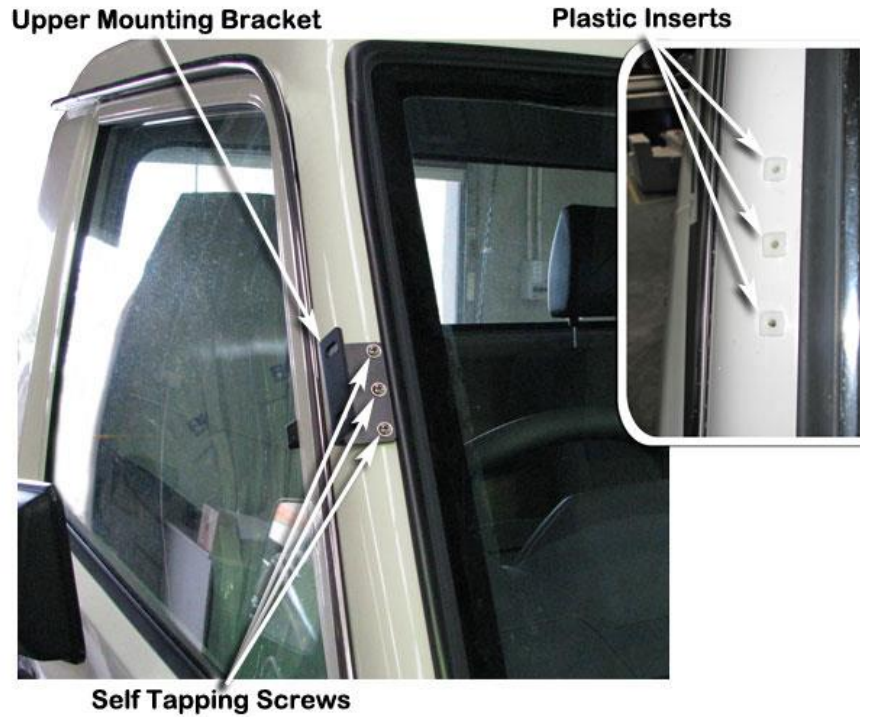
Drill each hole to 8mm diameter with a step drill or 8mm drill bit.

Deburr and paint holes to prevent rust.



Install the plastic inserts (item 6) into the 8mm diameter holes in the A-pillar.

Secure the upper mounting bracket (item 3) to the A-pillar with three stainless steel self-tapping screws (item 5).



Carefully install the snorkel body (item 1) to the guard panel and align the snorkel body to the guard panel and upper mounting bracket.

When correctly aligned, fasten the snorkel body to the guard panel with body washers (item 8) and nyloc nuts (item 9).

Fasten the snorkel body to the upper mounting bracket with hex bolts (item 4).



11

INSTALLER OPTION:

The air cleaner base contains two drain valves. These can permit water to enter the air intake.

Safari advises that the drain valves should be sealed to ensure a watertight installation.



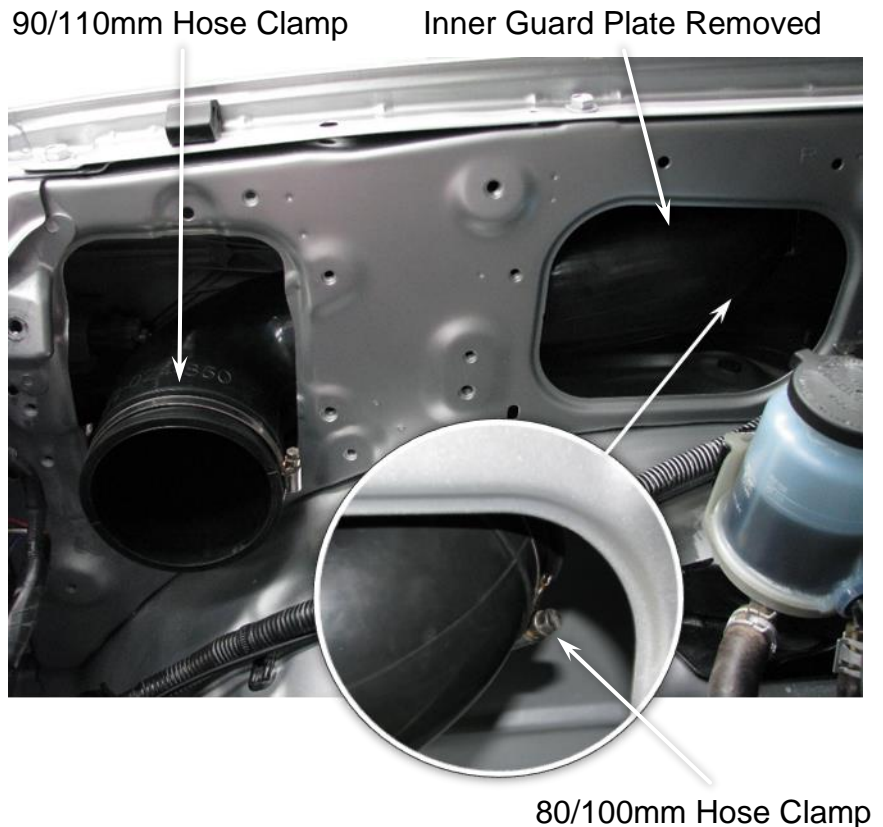
12

Install the air entry hose (item 10) through the front hole in the inner guard.

Loosely install the 80/100mm hose clamp (item 11) to the snout end of the air entry hose.

Loosely install the 90/110mm hose clamp (item 12) to the air cleaner end of the air entry hose.

Install the air entry hose onto the snorkel body outlet snout.



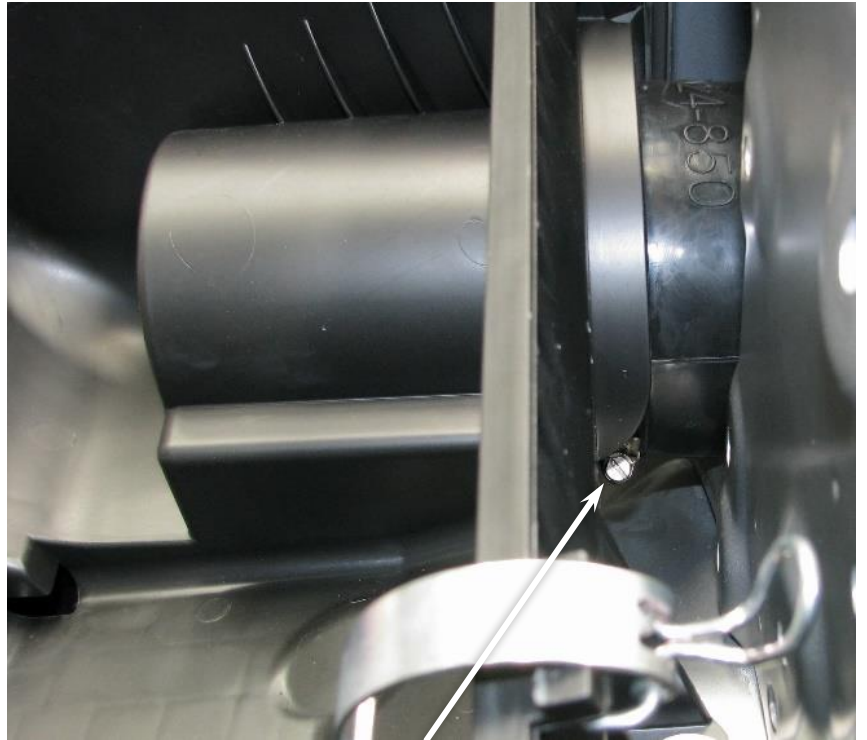
13

Install the air cleaner base back into position guiding the air entry hose over air cleaner inlet.

Fasten the air cleaner base with the original mounting hardware.

With the air entry hose correctly installed onto the snorkel body outlet snout and the air cleaner base inlet, tighten both hose clamps.

Re-install the inner guard plate using the original hardware.



90/110mm Hose Clamp

14

Install the black hose clamp (Item 13) loosely to the base of the air ram (Item 2).

Install the air ram onto the snorkel body.

Align the air ram and tighten the black hose clamp (Item 13).



15

N.B: It is the installer's responsibility to ensure that all connections are watertight.