



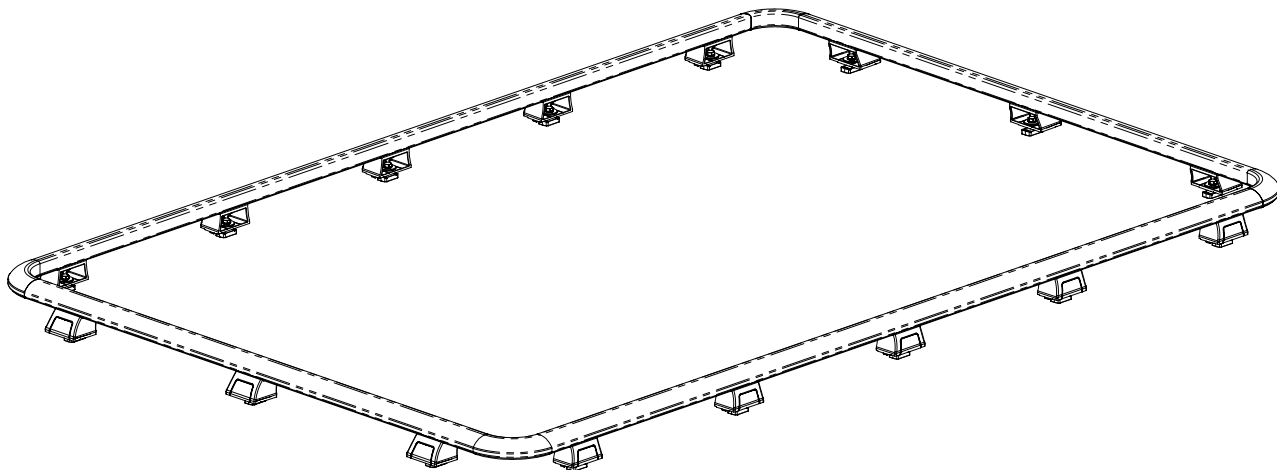
RHINO-RACK

Rhino Pioneer Full Rail Kit

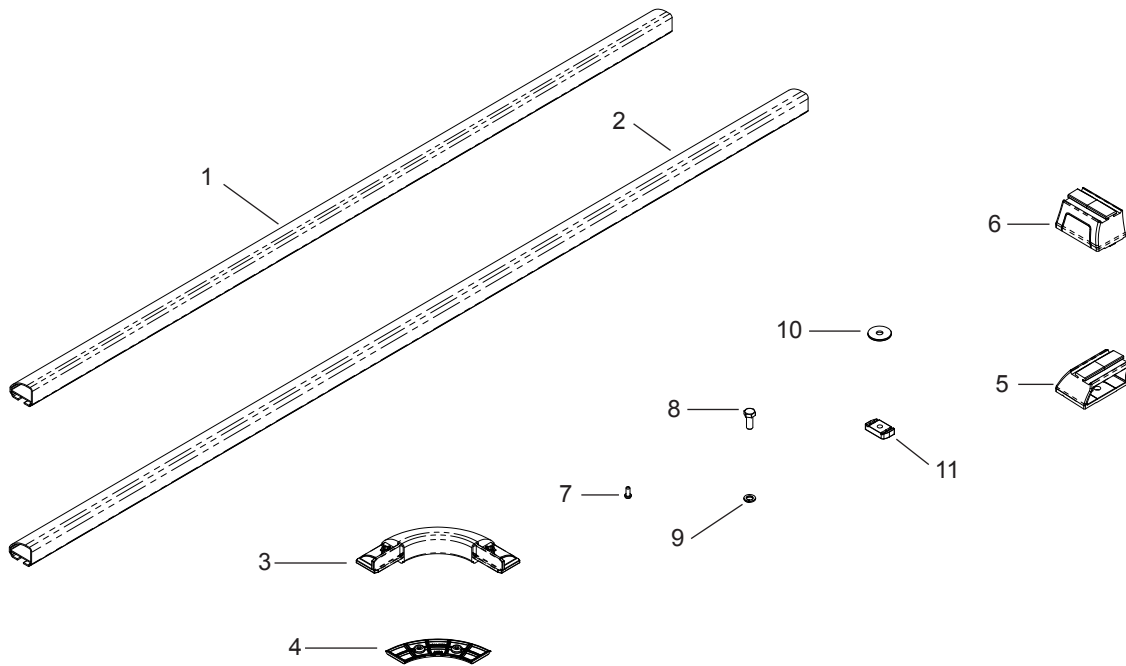
(43180B, 43181B, 43182B, 43183B, 43184B, 43185B, 43187B, 43188B, 43189B & 43201B)

Place these instructions in the vehicle's glove box after installation is complete.

Important: Please read these instructions carefully prior to installation.
Please refer to your fitting instruction to ensure that the alloy tray is installed correctly.
Check the contents of this kit before commencing fitment and report any discrepancies.



43184B Full Rail Kit Shown



Rhino-Rack
3 Pike Street, Rydalmere,
NSW 2116, Australia.
(Ph) (02) 9638 4744
(Fax) (02) 9638 4822

Document No: R036
Prepared By: Nigel Greig
Authorised By: Gary England

Issue No: 04
Issue Date: 24/07/2015

These instructions remain the property of Rhinorack Australia Pty Ltd and may not be used or changed for any other purpose than intended.



Rhino Pioneer Full Rail Kit

Item	Component Name	Part No.	Quantity									
			43180B	43181B	43182B	43183B	43184B	43185B	43187B	43188B	43189B	43201B
1	End Rail Extrusion	-	2	2	2	2	2	2	2	2	2	2
2	Side Rail Extrusion	-	2	2	2	2	2	2	2	2	2	2
3	Corner Moulding	M511	4	4	4	4	4	4	4	4	4	4
4	Corner Moulding Cover	M512	4	4	4	4	4	4	4	4	4	4
5	Rail Support End	M513	4	6	4	6	6	6	4	6	4	4
6	Rail Support Side	M514	6	6	8	8	10	12	10	8	6	6
7	Phillips Screw	B176	16	16	16	16	16	16	16	16	16	16
8	M8 x 20mm Hex Bolt	B020	10	12	12	14	16	18	14	14	10	10
9	M8 Spring Washer	W019	10	12	12	14	16	18	14	14	10	10
10	M8 x 30mm Flat Washer	C949	10	12	12	14	16	18	14	14	10	10
11	M8 Channel Nut	N003	10	12	12	14	16	18	14	14	10	10
12	Fitting Instructions	R036	1	1	1	1	1	1	1	1	1	1
Suits Trays			42100B	42101B	42102B	42103B	42104B	42105B	42107B	42108B	42114B	42115B
Side Rail Length (mm)			1226	1226	1626	1626	1826	2426	1826	1526	926	1176
End Rail Length (mm)			962	1102	962	1102	1152	1191	962	1152	678	910

Care Instruction

Clean alloy tray prior to fitting the Pioneer Rail Kit.

Tools Required

13mm Spanner, Phillips Screwdriver.

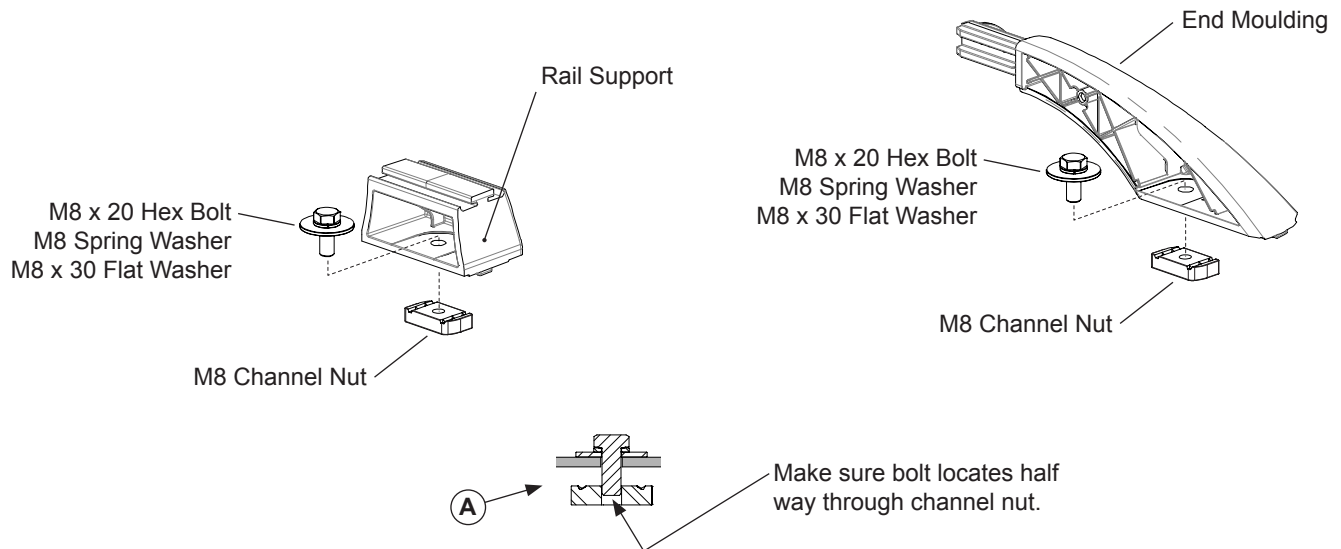


Rhino Pioneer Full Rail Kit

1 Fit Hardware to Mouldings

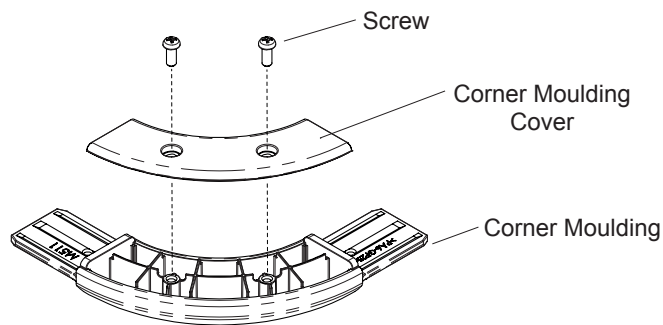
Loosely fit hardware to the mouldings as shown below, leaving the hardware off half of the end supports. End supports are marked underneath with M513.

Be sure to set the bolts so they locate half way through the channel nut (see image A below).



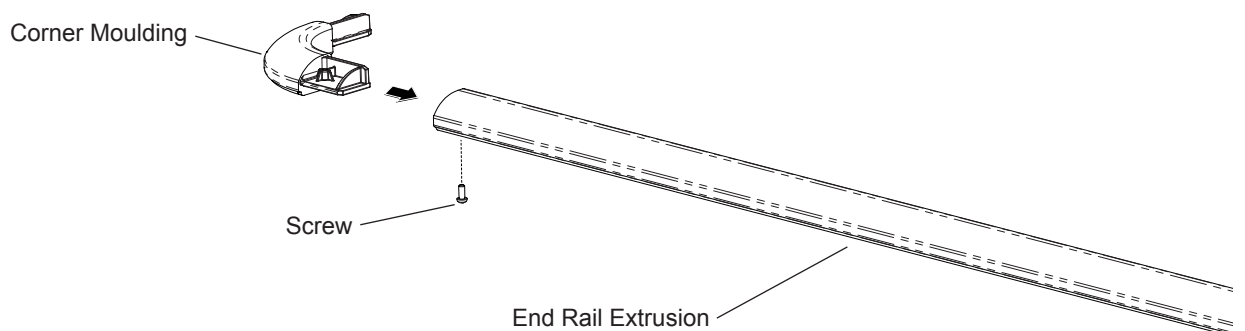
2 Fit Cover to Corner Mouldings

Fit the corner moulding cover as shown and fasten in place with screws provided in kit. Repeat this process for all corner mouldings.



3 Fit First Corner Moulding to End Rail

Take one of the end rail extrusions (short extrusion) and slide a corner moulding into one end and fasten in place with screw (provided in kit).



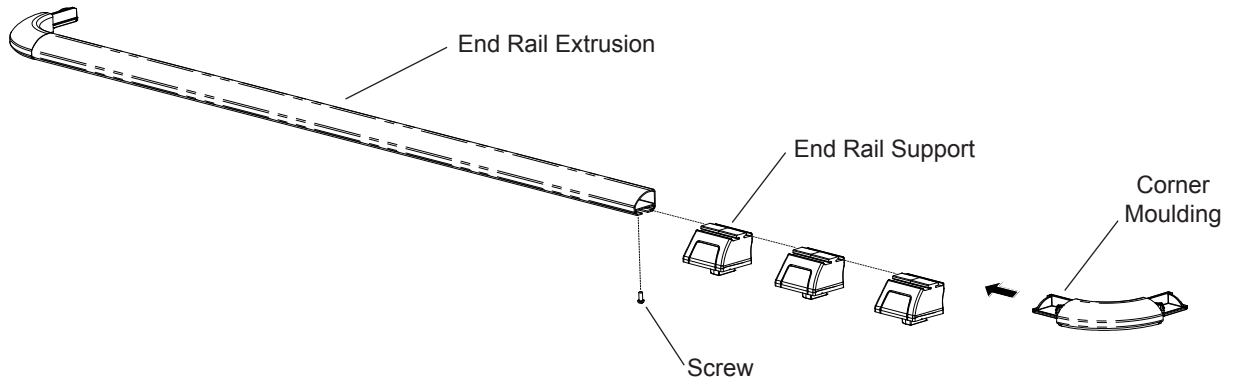


Rhino Pioneer Full Rail Kit

4 Fit End Rail Supports to End Rail

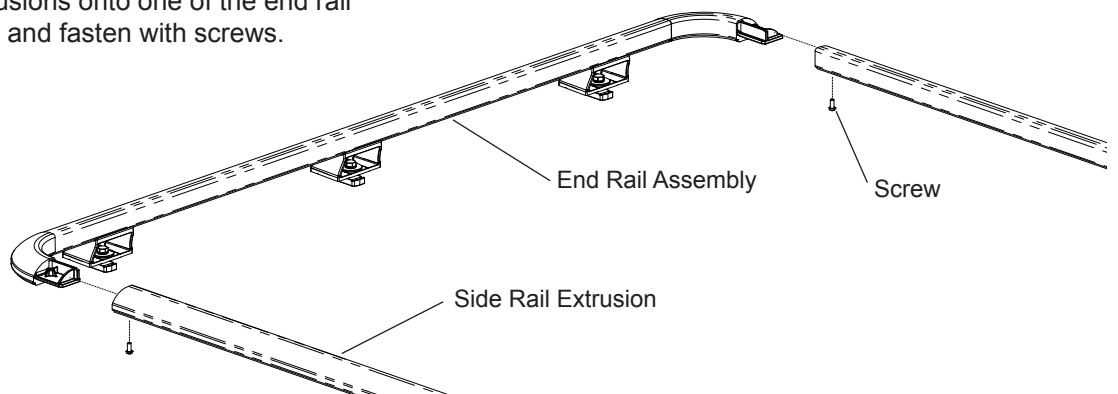
Locate the end rail supports which are marked underneath with M513 and have the hardware fitted. Slide these end supports into the end rail extrusion. Fit the second corner moulding to the open end as shown below and retain with screw.

Repeat Steps 3 & 4 for the other end rail extrusion, and fit the remaining end supports without hardware fitted.



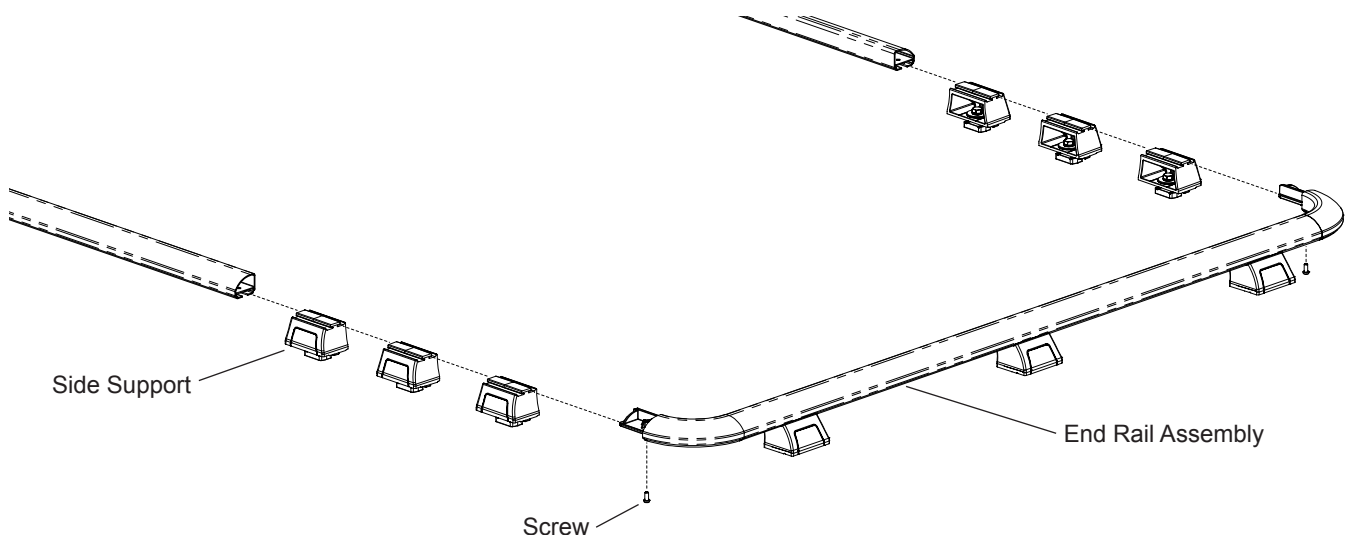
5 Fit Side Rail Extrusions to End Rail Assembly

Slide the side rail extrusions onto one of the end rail assemblies as shown, and fasten with screws.



6 Fit Side Support Mouldings and End Rail Assembly

Slide half the side rail supports into each of the side rail extrusions as shown below. Next slide the remaining end rail assembly onto the side rail extrusions and fasten in place with screws provided in kit.

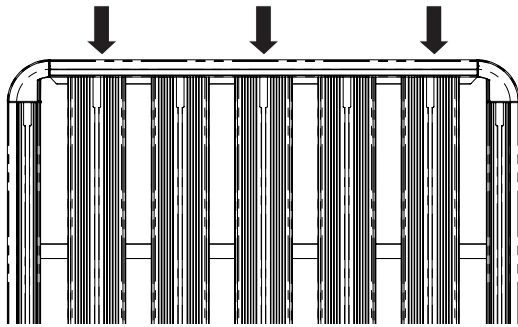




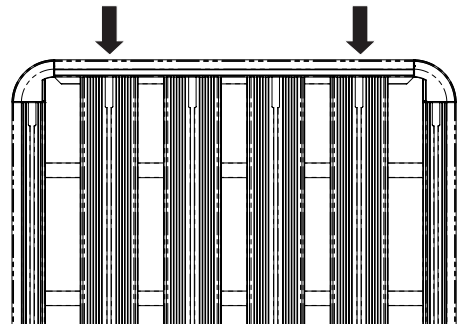
Rhino Pioneer Full Rail Kit

7 Align End Supports

Adjust the end supports (with hardware fitted) so they align with the appropriate plank ready for fitment. Refer to the images below for correct plank alignment to suit your tray.



5 Plank Trays

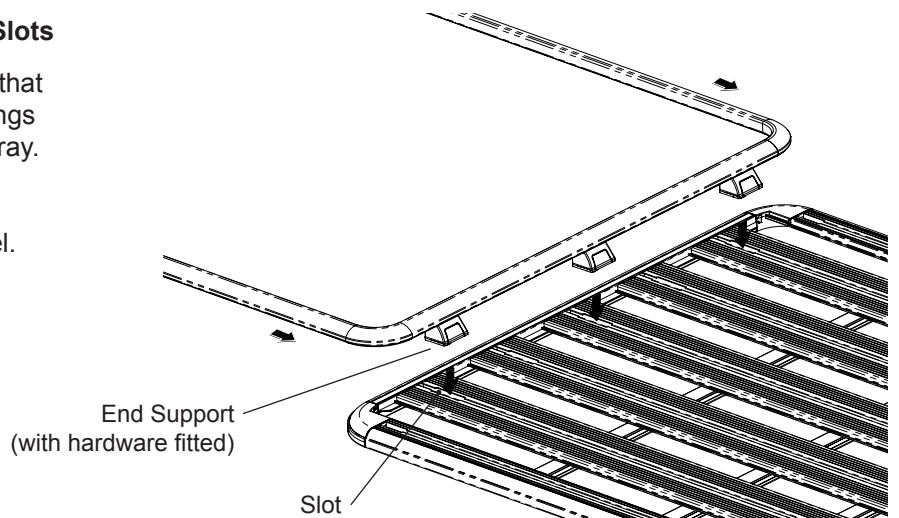


4 Plank Trays

8 Insert First End Supports into Slots

Lower the rail assembly onto the tray so that the channel nuts fitted to the end mouldings locate within the slots at the front of the tray.

Next slide the rail assembly onto the tray slightly so the nuts engage in the channel.

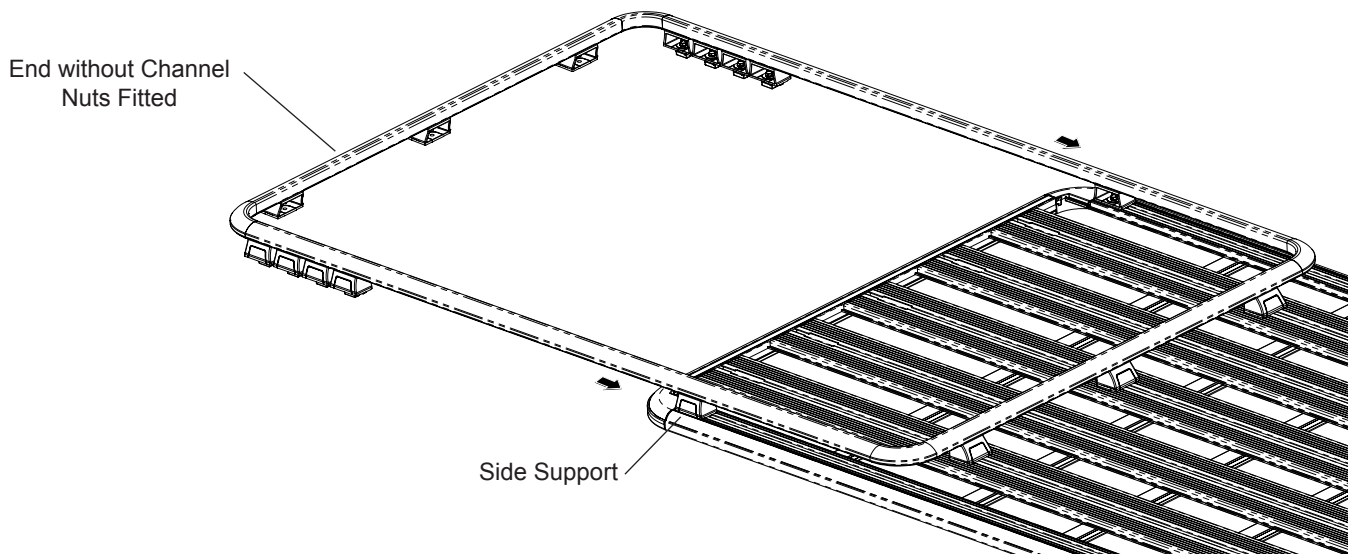


9 Engage Side Supports

Firstly slide all of the side supports so they are bunched up at the opposite end of the rail away from the tray.

Lift the front of the rail slightly and slide the first side support over the slot in the tray. Lower the channel nut into the slot and slide the side support towards the end moulding.

Repeat this process for all side supports, sliding the rail further onto the tray as you go.



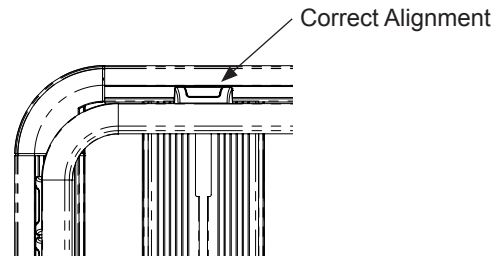


Rhino Pioneer Full Rail Kit

10 Slide Rail Completely onto Tray

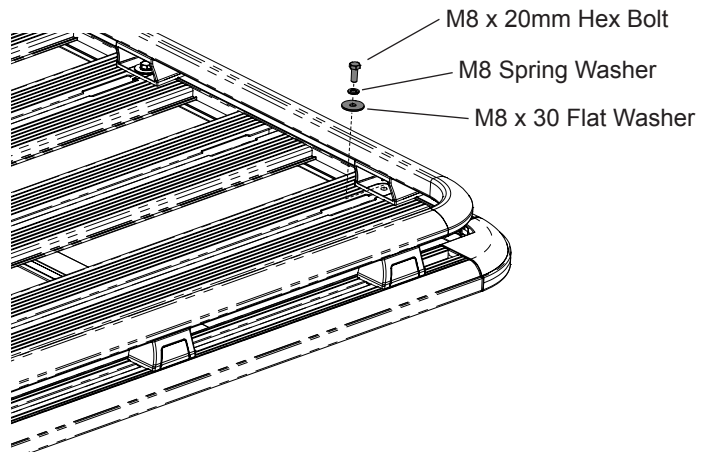
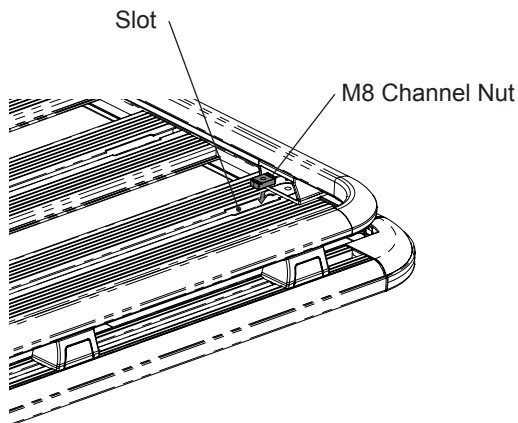
Slide the rail assembly completely onto the tray.

Note the finished position for the end supports as detailed below.



11 Fit Hardware to Front of Tray

Place the remaining channel nuts into the slots at the front of the tray and slide them so they sit under the end supports. Fit the hardware shown and tighten finger tight.



12 Position Side Supports

Position the side supports on both sides of the rail as shown below, tighten all the bolts with a 13mm spanner to secure the rail firmly to the tray.

