

ARB **BASE RACK**

FITTING INSTRUCTION

Part Number: **1780420**
Product Description: **BASERACK BRIDGE PLATE NARROW**

WARNING

- ◆ The ARB BASE RACK system has a maximum capacity of 25kg per cross slat. Exceeding this limit may result in damage or failure
- ◆ This products weight rating depends on use, refer to the table on Page 2
- ◆ This product must be installed exactly as per these instructions using only the hardware supplied
- ◆ This product or its fixing must not be modified in any way
- ◆ These instructions are correct as at the publication date
- ◆ During installation, it is the duty of the installer to check correct operation/clearances of all components
- ◆ Work safely at all times
- ◆ Unless otherwise instructed, tighten fasteners to specified torque
- ◆ Fastener torques are to be checked at regular intervals

ARB 4x4 ACCESSORIES

Corporate Head Office

www.arb.com.au

42-44 Garden St
Kilsyth, Victoria
AUSTRALIA 3137

Tel: +61 (3) 9761 6622
Fax: +61 (3) 9761 6807

Australian enquiries
North & South American enquiries
Other international enquiries

sales@arb.com.au
sales@arbusa.com
exports@arb.com.au

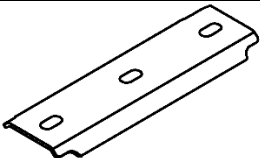
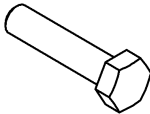


REQUIRED TOOLS FOR FITMENT OF PRODUCT:

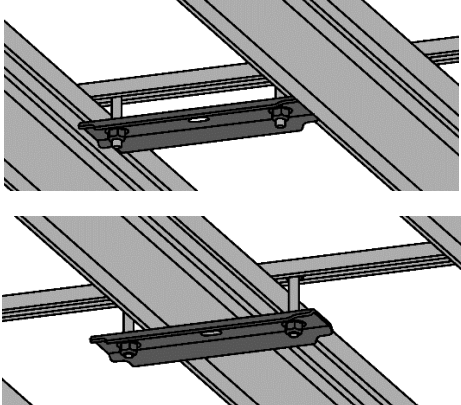
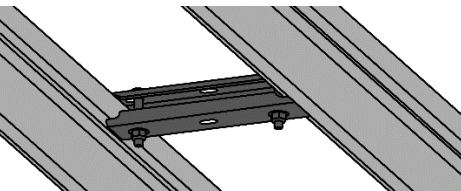
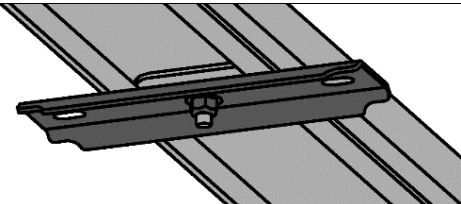
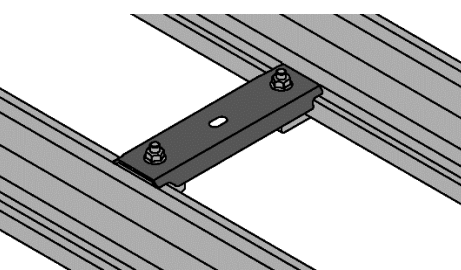
2 X 13mm Spanner/Wrench

FASTENER TORQUE SETTINGS:

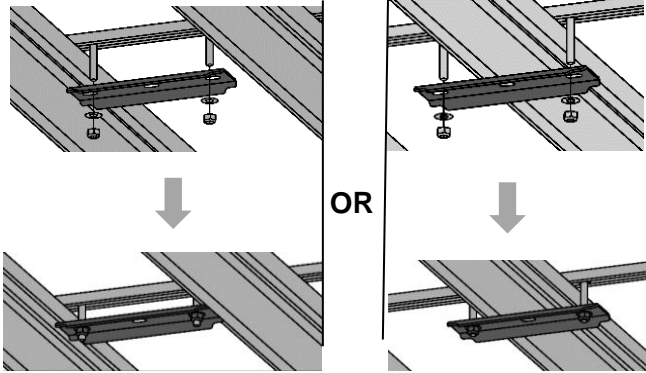
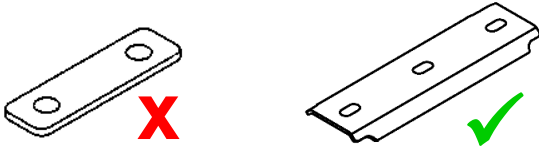
SIZE	Torque Nm	Torque lbft
M8	22Nm	16lbft

PARTS LISTING

APPLICATION.	PART NO.	QTY	DESCRIPTION
	3750750	4	BRKT BRIDGE NARROW
	6151222	4	BOLT HXHD M8x50 BLACK
	6151212	4	NUT NYLOC M8 BLACK
	4581085	8	WASHER M8x19x1.2mm BLACK

Mount Type	Description	Weight Limit
	Roof Top Tent Clamps (per set of 4)	75kg/165lb
	Clamped Pair	5kg/11lb
	Bolt mount (using 6980060 stud plate kit)	2kg/4.5lb
	Alloy Block mount (using 1780200 or 1780610)	10kg/22lb

FITTING PROCEDURE – ROOF TOP TENT

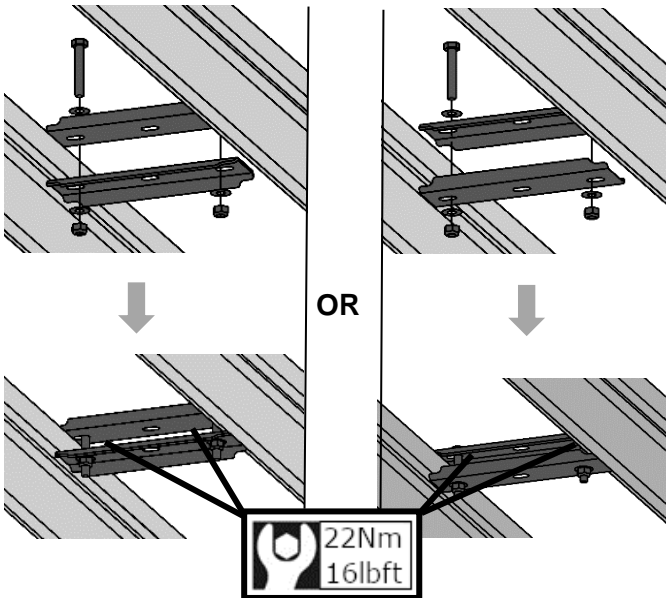


1. Fit the tent as per instructions, swapping the standard tent base plate with 3750750

The clamp can be placed;
Around a BASE Rack cross beam
or
Between two cross beams pressing on the dovetail

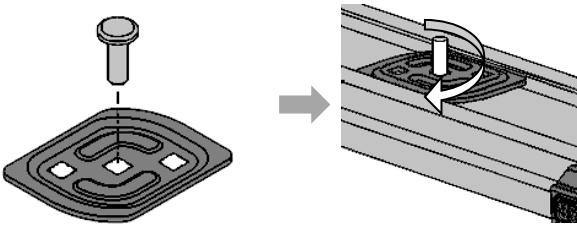
2. For large roof top tents it may be necessary to fit the tent to the rack off the vehicle and re-fit the rack
3. To retain the plate on the rack for future positioning, use the bolt mount option shown below

FITTING PROCEDURE – CLAMPED PAIR

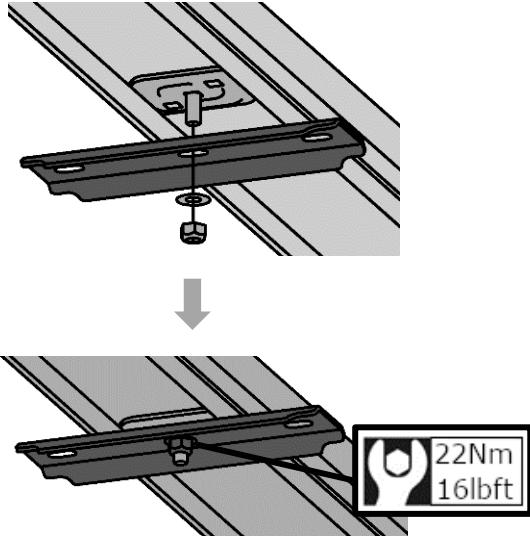


4. Place the clamps between two BASE Rack Cross beams, with one on either side of the dovetail
5. For large roof top tents it may be necessary to fit the tent to the rack off the vehicle and re-fit the rack

FITTING PROCEDURE – BOLT MOUNT

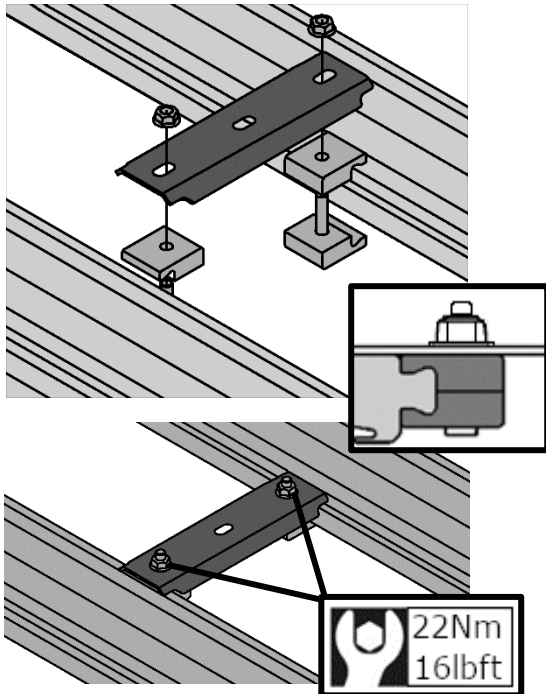


6. Using ARB Part No 6980060 (supplied separately), install the M8 stud into the stud plate as shown
7. Insert the stud plate assembly into the BASE Rack Channel and rotate 90°



8. Install the bridging plate on to the stud, using an M8 nut and washer
9. Tighten to specified torque value

FITTING PROCEDURE – ALLOY BLOCK MOUNT



10. Arrange the alloy mount blocks (ARB Part no. 1780200 or 1780610) to clamp over the BASE Rack dovetail as shown
11. Align the studs (1780200) or bolts (1780610) with holes in the bridging plate
12. Tighten the hex or eye nuts to specified torque

ARB BASE RACK