



FITTING INSTRUCTIONS

Part Number: **4240050, 4340130**

Product **AUXILIARY BATTERY TRAY**

Description: **AUXILIARY BATTERY TRAY & BCDC CHARGER KIT**

Suited to **FORD RANGER MY22, FORD EVEREST MY22**
vehicle/s:

WARNING

NOTE:

- ◆ This product must be installed exactly as per these instructions using only the hardware supplied.
- ◆ Do not use this product for any vehicle make or model, other than those specified by ARB.
- ◆ The installation of this product may require the use of specialized tools and/or techniques.
- ◆ It is recommended that this product is only installed by trained personnel.
- ◆ These instructions are correct as at the publication date. ARB Corporation Ltd. cannot be held responsible for the impact of any changes subsequently made by the vehicle manufacturer.
- ◆ During installation, it is the duty of the installer to check correct operation of all components.
- ◆ Work safely at all times.
- ◆ Unless otherwise instructed, tighten fasteners to specified torque.
- ◆ Ensure adequate clearance to all moving parts.

ARB 4x4 ACCESSORIES

Corporate Head Office

42-44 Garden St
Kilsyth, Victoria
AUSTRALIA 3137

Tel: +61 (3) 9761 6622
Fax: +61 (3) 9761 6807

Australian enquiries
North & South American enquiries
Other international enquiries

sales@arb.com.au
sales@arbusa.com
exports@arb.com.au



www.arb.com.au

FITTING REQUIREMENTS

REQUIRED TOOLS FOR FITMENT OF PRODUCT:

BASIC TOOL KIT – METRIC SPANNER AND SOCKET SETS	FLAT AND PHILIPS SCREWDRIVERS
OSCILLATING MULTI-TOOL WITH BLADE SUITABLE FOR PLASTIC	Ø5mm, Ø10mm DRILL BITS & STEP DRILL
FILE OR SAND PAPER	MASKING TAPE
BASIC MEASURING TOOLS	SOLDERING IRON
CORRUGATED SPLIT TUBE (7MM & 12MM)	TORQUE WRENCH 9-100 Nm CAPACITY
SIDE CUTTERS	PLIERS
ELECTRICAL TAPE	CRIMPING TOOL
HEAT GUN	SCISSORS

HAVE AVAILABLE THESE SAFETY ITEMS WHEN FITTING PRODUCT:

Protective eyewear		Hearing protection	
--------------------	---	--------------------	---

NOTE: 'WARNING' notes in the fitting procedure relate to OHS situations, where to avoid a potentially hazardous situation it is suggested that protective safety gear be worn or a safe work procedure be employed. If these notes and warnings are not heeded, injury may result.

FASTENER TORQUE SETTINGS:

SIZE	PROPERTY CLASS	Torque Nm	Torque lbft
M6	8.8	9Nm	7lbft
M8	8.8	22Nm	16lbft
M10	8.8	44Nm	32lbft
M12	8.8	77Nm	57lbft
M12	10.9	92Nm	68lbft

PLEASE NOTE THE FOLLOWING:

- These instructions have been written to describe the installation of the FORD RANGER and EVEREST MY22 auxiliary battery tray (4240050/4340130) with a REDARC BCDC1225D charging unit and ARB Wiring kit (4300060).
- If using an alternative charging system and/or wiring, refer to the guidelines provided with those units.
- For details about the REDARC BCDC charger, refer to the manual provided with the unit.

PARTS LISTING

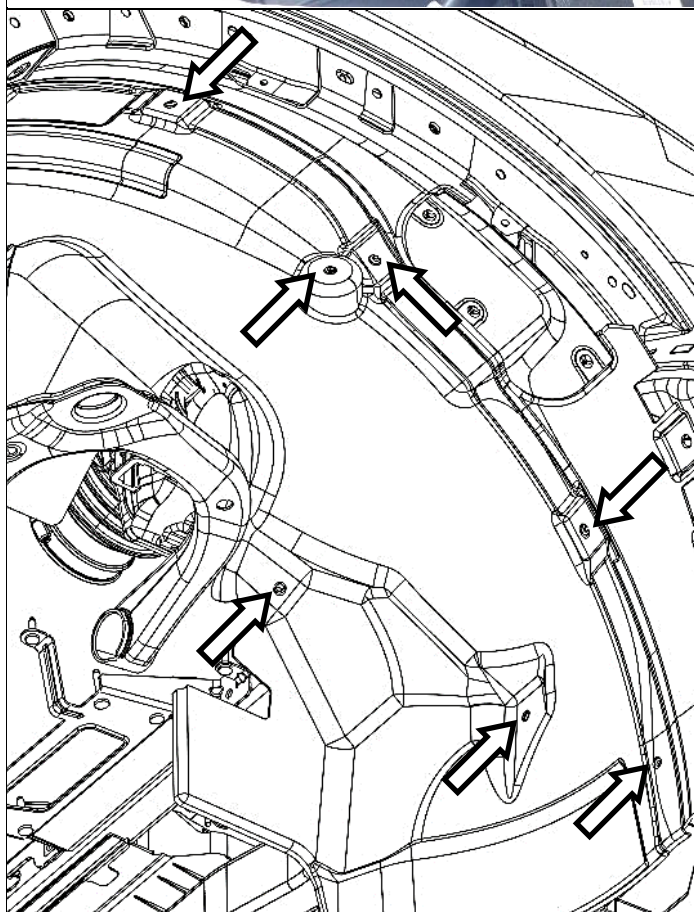
APPLICATION.	PART NO.	QTY	DESCRIPTION
FITTING INSTRUCTIONS	37801140	1	FITTING INSTRUCTIONS (COVERS 4340130 & 4240050 KITS)
SUPPORT ARM FITMENT ITEMS <i>(Supplied with 4240050 & 4340130 Kits)</i>	4655212	1	WELD ASSY BATT TRAY SUPPRT ARM
	3195576	1	NUT PLATE ASY, BATT TRAY FRONT
	4584393	2/7	WASHER FLAT M8x19x2
	6151730	2/5	BOLT HXHD FL M8x1.25x20
	3195593	1	NUT CAGE STICK M6
	4584378	2/6 (050) 2/9 (130)	WASHER FLAT M6x16x1.2
	6152008	2/4 (050) 2/6 (130)	BOLT HXHD FL M6x1.0x25
	6152104	1/2 (050) 1/5 (130)	NUT STICK M6
TRAY INSTALLATION ITEMS <i>(Supplied with 4240050 & 4340130 Kits)</i>	4681781	1	BRACE AUX BATTERY TRAY SUPPORT
	4655209	1	WELDED ASSY, AUX BATTERY TRAY
	3753579	1	CLAMP BRACKET, AUX BATTERY TRAY
	6152095	3	NUTSERT M8 X 1.25 ZTS 0.5-3.0
	4584393	5/7	WASHER FLAT M8x19x2
	6151730	3/5	BOLT HXHD FL M8x1.25x20
	6151654	4	NUT FLANGE M6x1.0
	4584371	2	WASHER FLAT M6x25x2.8
	6151028	1	NUT HEX M8x1.25 TZP480
	6151212	2	NUT HEX NYLOC M8x1.25 ZNB480
	6151084	1	BOLT HXHD M8x1.25x40 PC8.8 ZP
	6151921	2	BOLT COHD M8x20 ZNB480
	215618	1	LABEL ARB DOME BADGE
	4584378	4/6 (050) 4/9 (130)	WASHER FLAT M6x16x1.2
	6152104	1/2 (050) 1/5 (130)	NUT STICK M6
6152008	2/4 (050) 2/6 (130)	BOLT HXHD FL M6x1.0x25	
BCDC INSTALLATION ITEMS <i>(Supplied with 4340130 Kit only)</i>	4655211	1	WELDED MOUNT, BCDC
	6523558	1	COVER PANEL, BCDC
	4584378	3/9	WASHER FLAT M6x16x1.2 BTZP480
	6151526	4	NUT CAGED M6 1.8-2.7 BZP480
	6151560	1	BOLT HXHD M6x1.0x16 PC8.8 BTZP480
	6151651	4	SCREW PHD M6x12 PH TZP480
	6152008	2/6	HXHD FL M6x1.0x25 PC8.8 ZNB480
	6152104	3/5	NUT STICK M6
	6609087	6	RIVET OP 3/16 DIA 4.8-11.1
	180302	10	CABLE TIE 4.8x180mm BLACK
	37801142	1	CUTTING TEMPLATE, BCDC CVR PNL
	4300060	1	ARB WIRING KIT
	6821432	1	BCDC1225D REDARC Battery Charger
	6152097	1	BOLT HXHD FL M6X25, FT ZP TAPTITE THREAD FORMING

4300060 BCDC WIRING KIT <i>(Supplied with 4340130 BATTERY TRAY & BCDC KIT ONLY)</i>	N/A	1	ANDERSON PLUG 50AMP
		1	0.75mm WIRE RAYCHEM CRIMP SPLICE
		2	MIDI FUSE HOLDER
		2	MIDI FUSE 40AMP
		1	POSITIVE BATTERY CLAMP
		1	NEGATIVE BATTERY CLAMP
		4	M4x20 BOLT
		4	M4 NYLOC
		2	M3x25 BOLT
		2	M3 NYLOC
		12	M4 FLAT WASHER
		1	ANDERSON PLUG RED RUBBER
		1	POSITIVE LUG BOOT RED
		1	NEGATIVE LUG BOOT BLACK

FITTING PROCEDURE – 4240050 AUXILIARY BATTERY TRAY

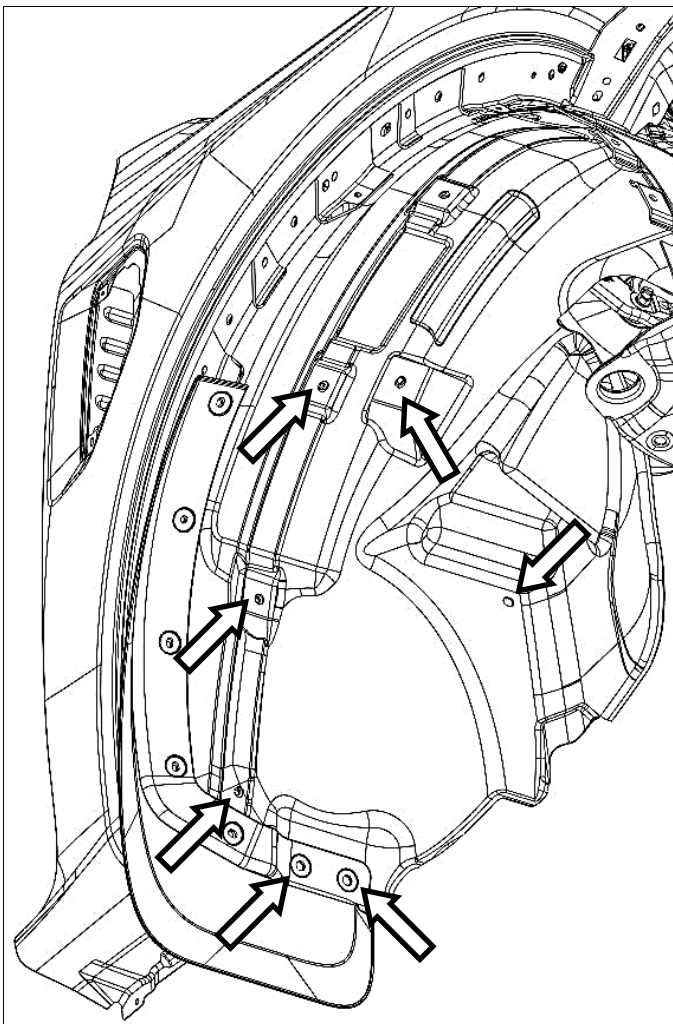


1. Locate the main battery and disconnect both terminals, beginning with the negative. A 10mm spanner will be required.

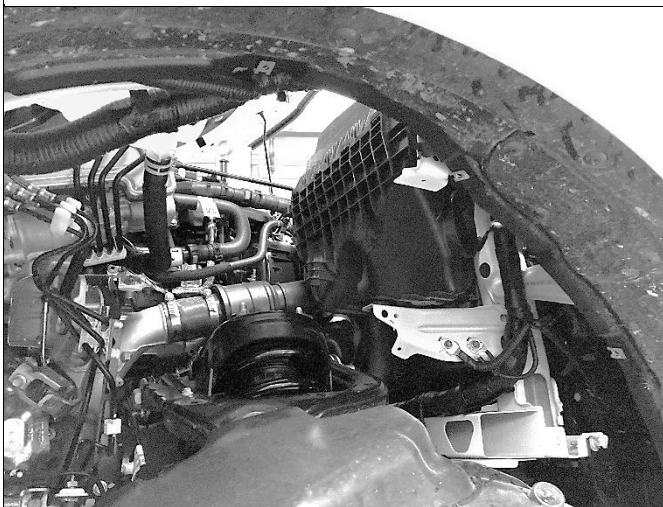


2. Remove the seven fasteners from the front right inner most wheel arch liner as shown.

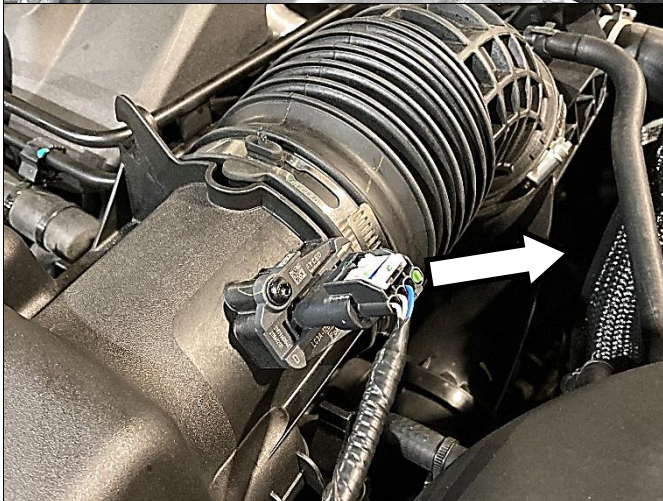
NOTE: Do not remove any fasteners from the wheel flares.



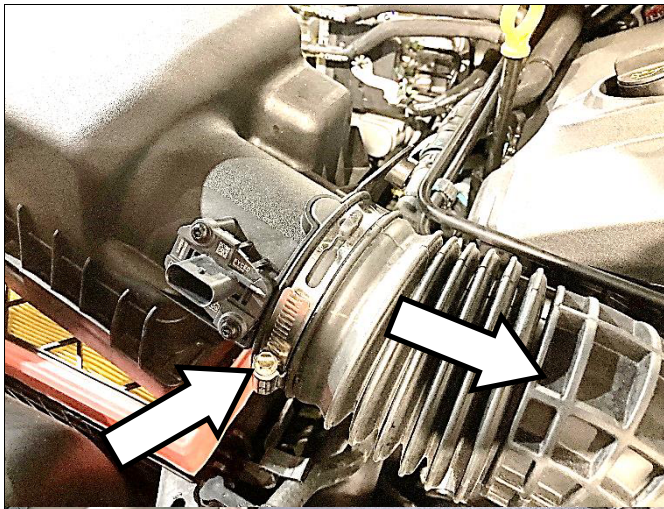
3. Remove the seven fasteners from rear of front right wheel arch liner and mud flap.



4. Let the wheel arch liner hang down to gain access to the underside of the vehicle engine bay.



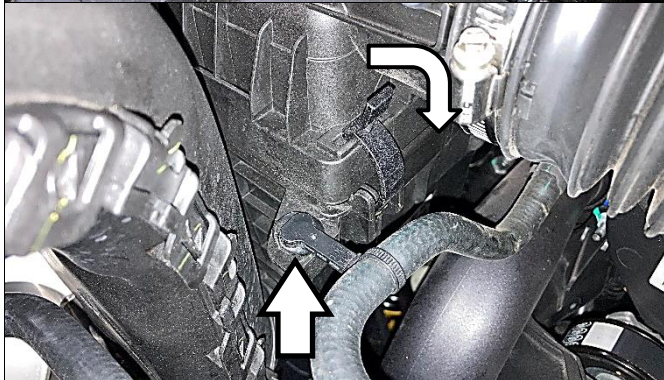
5. Unclip the air flow sensor from the air box inlet.



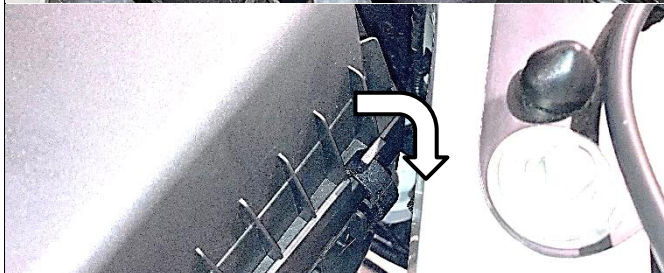
6. Loosen the hose clamp and remove the rubber air hose off the air box lid.



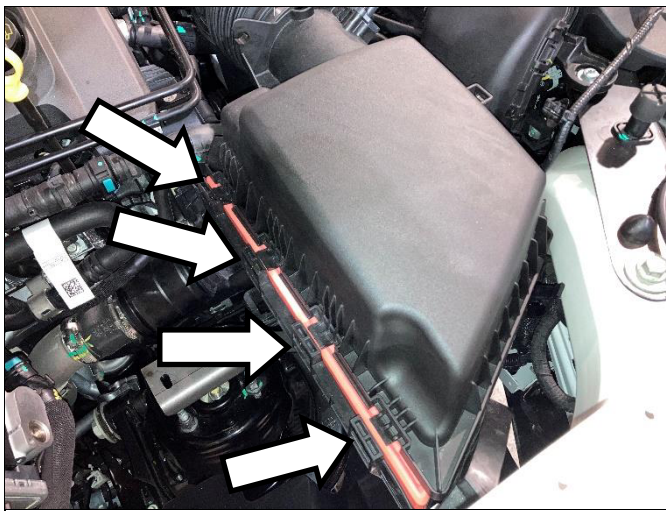
7. Unclip the cable fixture shown from the air box lid.



8. Unclip the fuel line fixture from the air box case as shown.

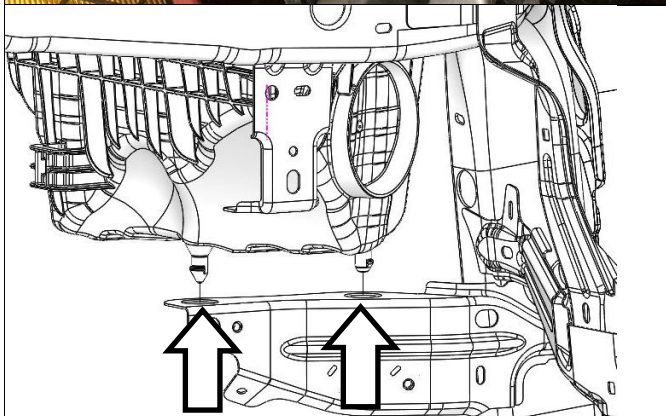


9. Unclip the air box lid at both locations shown.



10. Gently press down and slide the four tabs shown out of their clips to remove the air box lid and set aside safely.

11. Loosen the OE fasteners shown. Set aside the fasteners to refit later.



12. Gently maneuver the air box upwards so that the two locating pins are freed from their rubber housings. Place air box to the side safely.

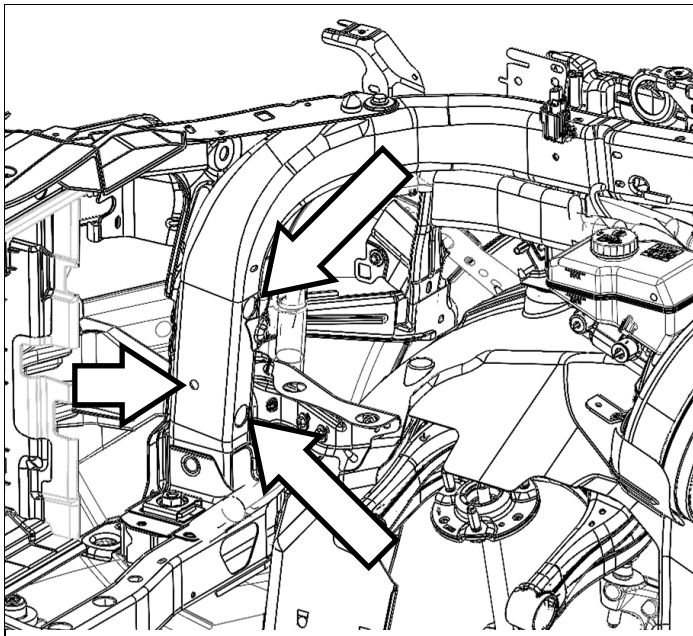
IF VEHICLE IS FITTED WITH AIR SNORKEL



13. Undo the hose clamp connecting the snorkel air hose to the air box and maneuver air hose until it is free of the air box.

With the air hose disconnected, pull air box out of the engine bay.

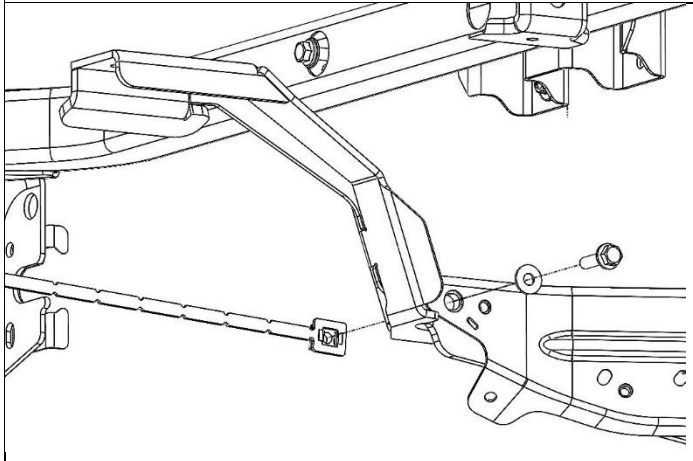
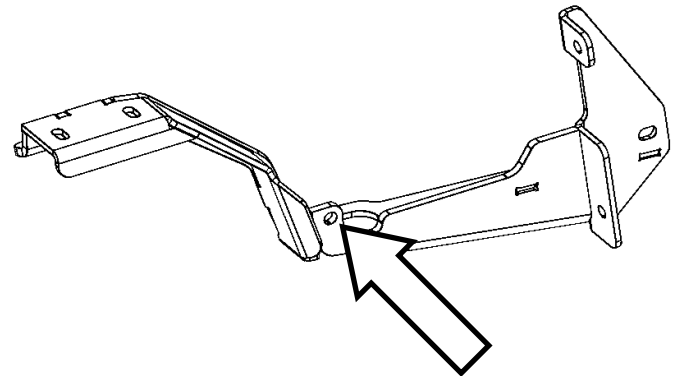
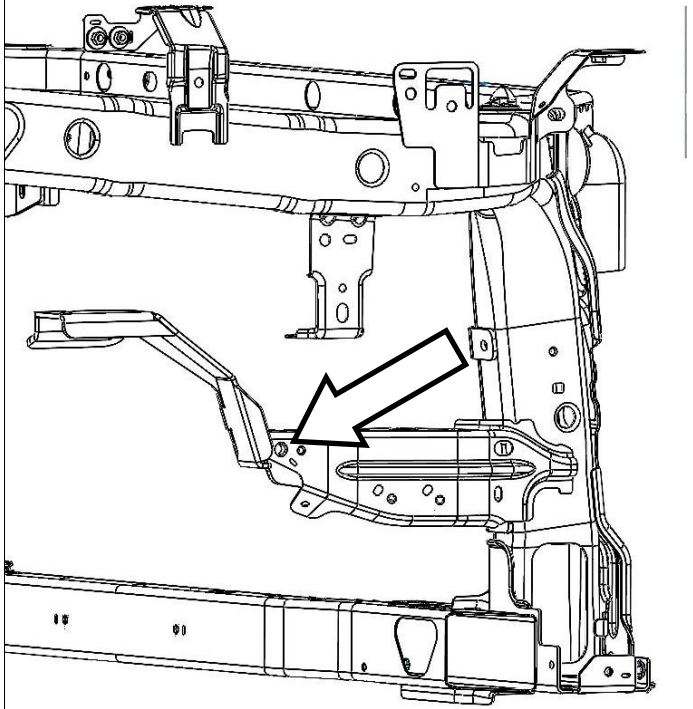




14. With the air box removed you will gain access to the mounting points for the battery tray supporting arm.

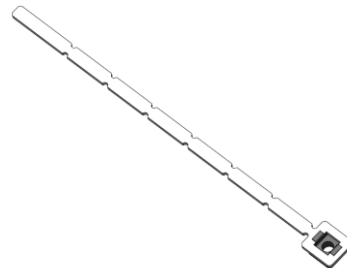


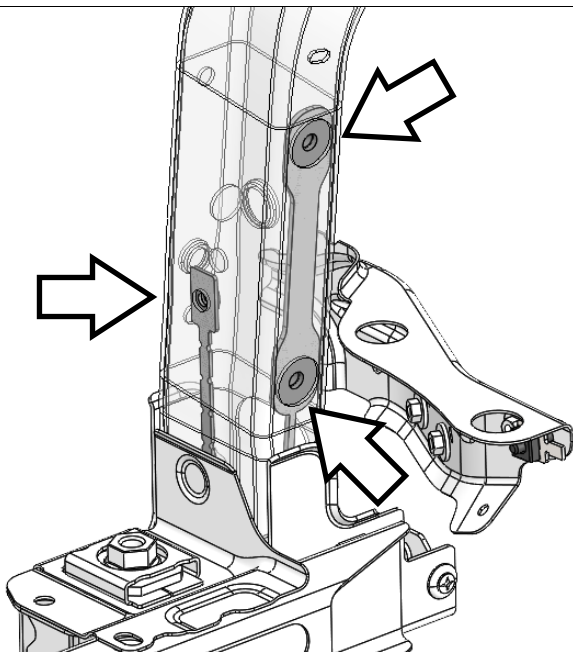
15. Fit the support arm to the inside of the chassis and align with hole shown.



16. Assemble M6x25 flange bolt and M6x16 washer through body and arm into nut plate (3195593).

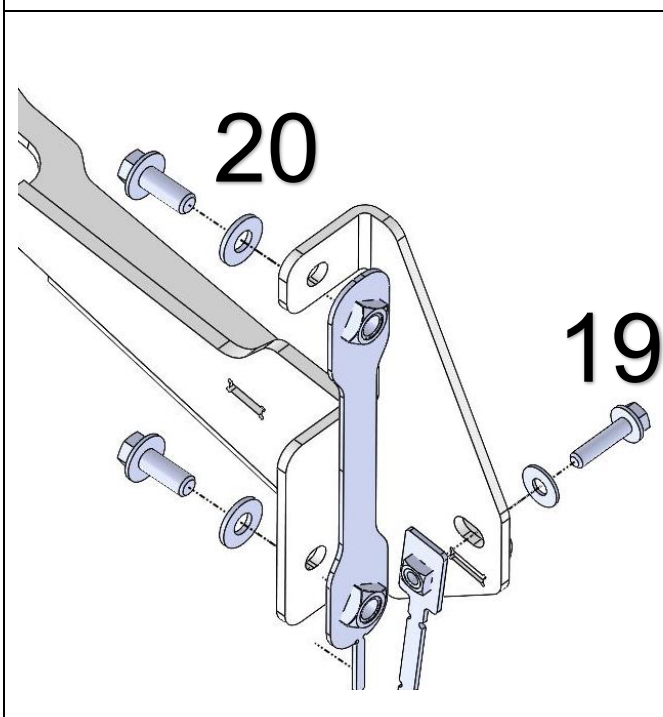
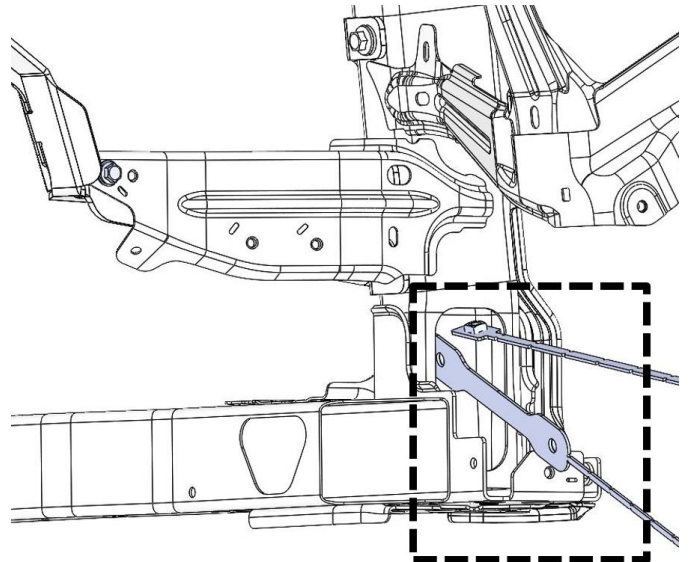
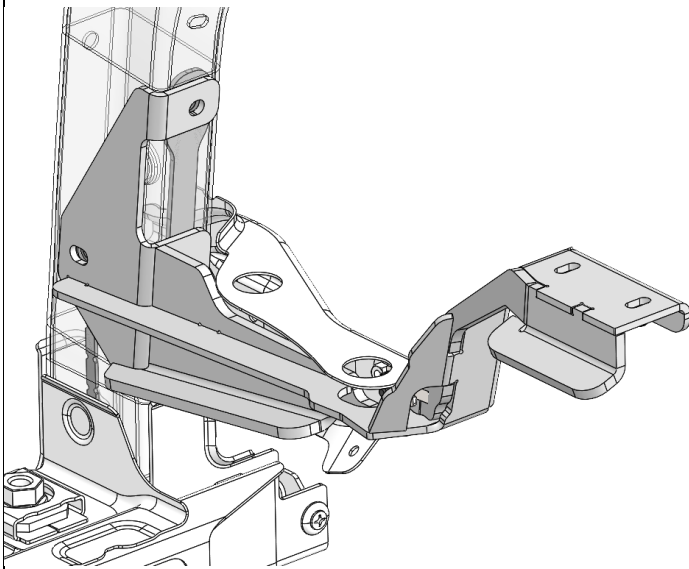
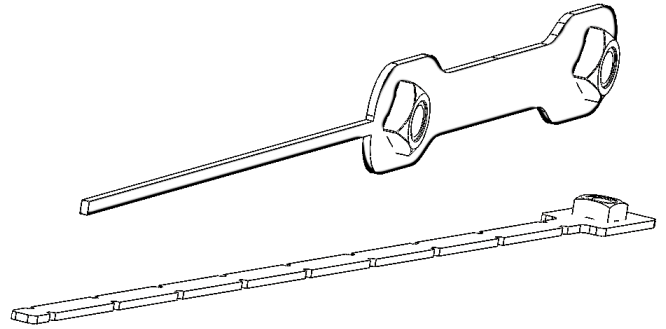
Leave fasteners loose at this stage.





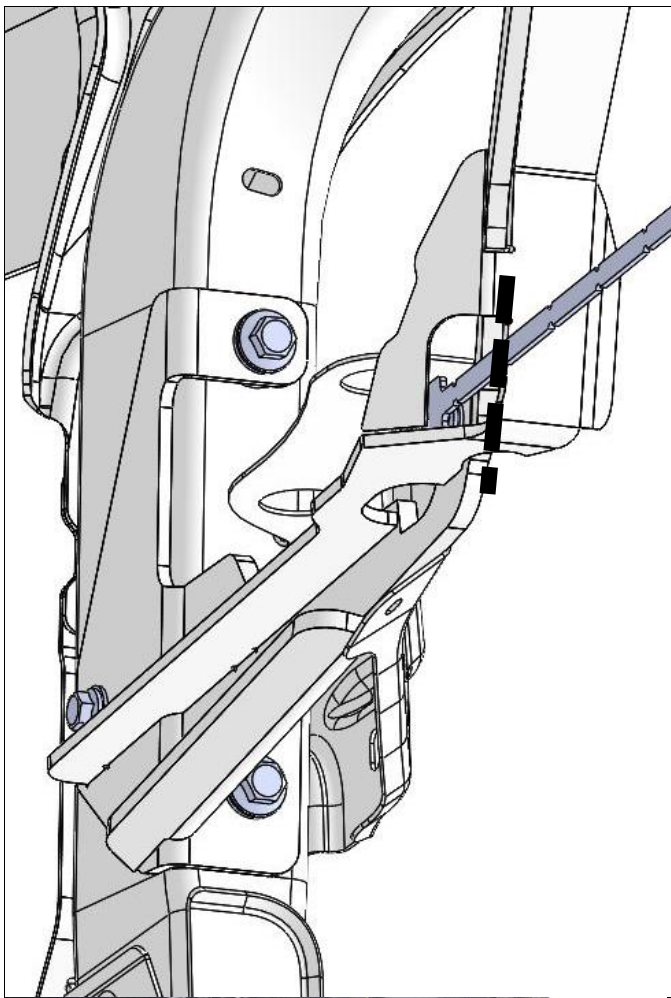
17. The supporting arm is fastened to the vehicle using one nut stick (6152104) and one nut plate (3195576).

Insert nut sticks into the opening of the hydroform channel shown and align with holes in the supporting arm mount.





18. Use one M6x25 Flange bolt and one M6x16 flat washer for the single nut stick.

19. Use two M8x20 Flange bolts and two M8 flat washers for the nut plate.



20. Tighten all supporting arm fasteners.
Break off nut stick stem so it does not protrude past the supporting arm.

 M6 - 9 Nm.

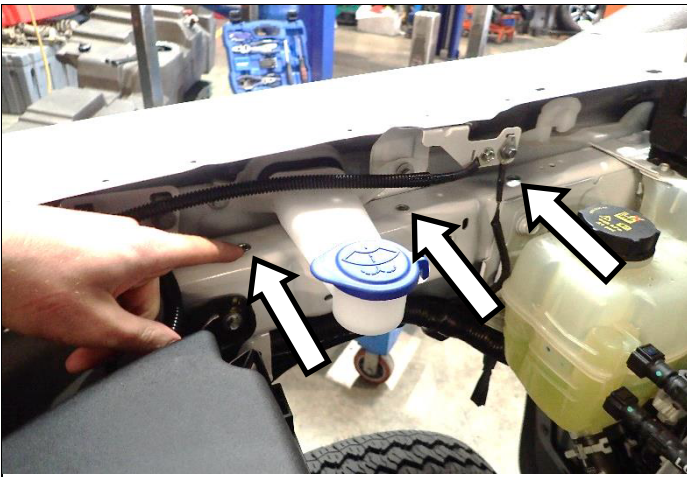
 M8 - 22 Nm.



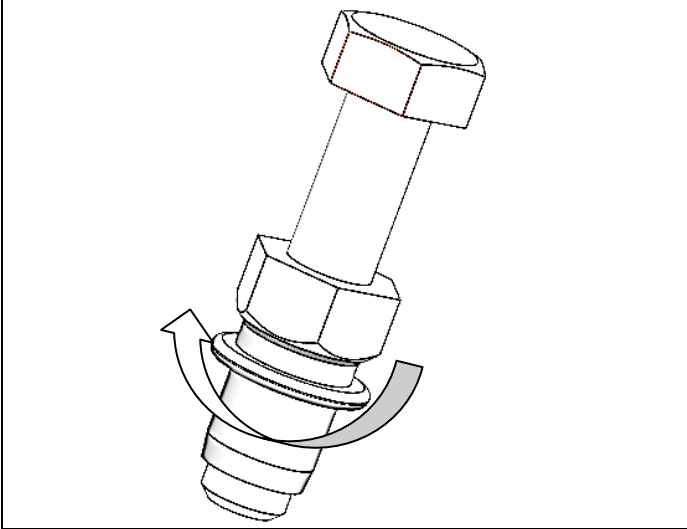
21. Refit the airbox following Steps 5 to 13 in reverse order.



22. Remove washer bottle filler neck by undoing the two fasteners shown.
Set aside fasteners to be refitted later.

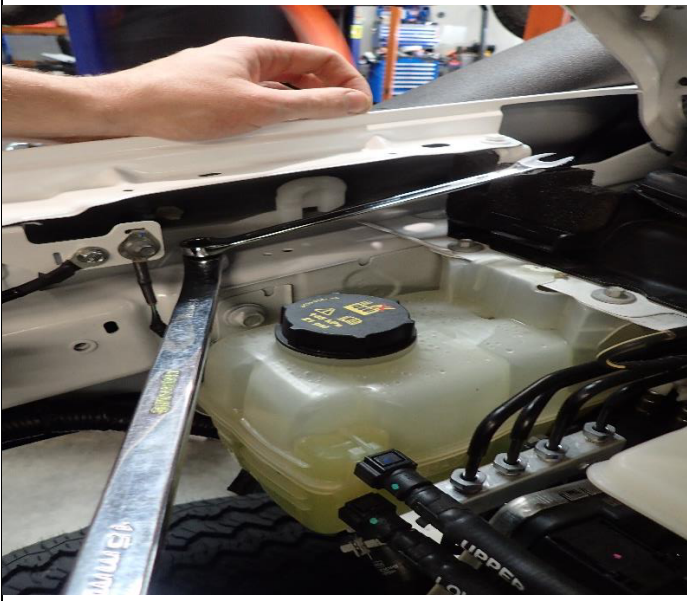


23. Three M8 nutserts need to be fitted to the chassis in these locations.



24. To fit the nutserts, assemble a long M8 Bolt, fit an M8 nut halfway, thread on the M8 nutsert as shown.

These fasteners are sacrificial and will not be used in the rest of the fitment.

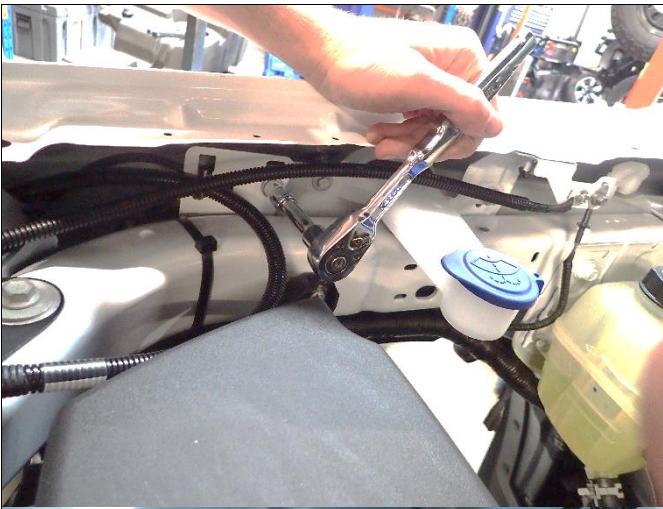


25. Insert the assembled bolt, nut and nutsert into each hole.

Using a 13mm spanner, turn the nut counter-clockwise and hold the bolt fixed until the nutsert is formed correctly.

A long style spanner makes this easier.





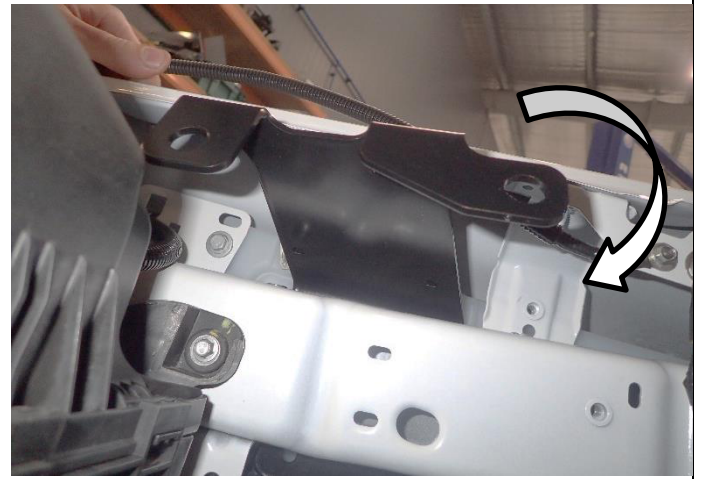
26. Loosen and temporarily remove the water bottle fastener shown. Set aside fastener to be refitted later.

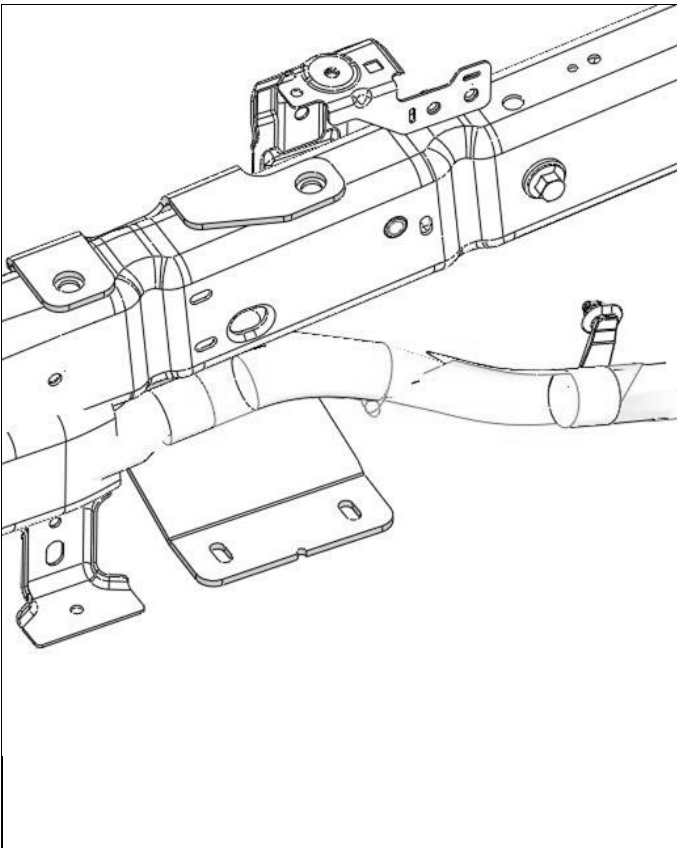


27. From inside the wheel arch, access the nut shown and loosen.



28. Place the battery support bracket onto the vehicle rail.
This bracket needs to be rotated into position between the washer bottle and rail.

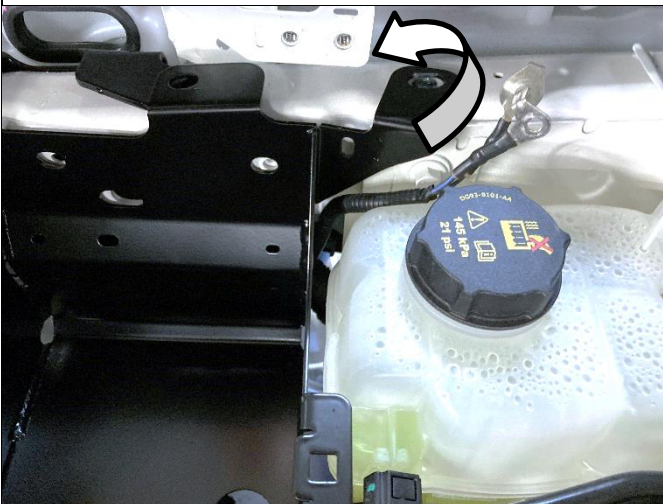




29. Lift the washer bottle away and slide the bracket into position.
30. Once in position, re-fit the fasteners for the washer bottle loosened or removed in Step 26 and 27 .



BATTERY/BODY GROUND - 20 Nm.

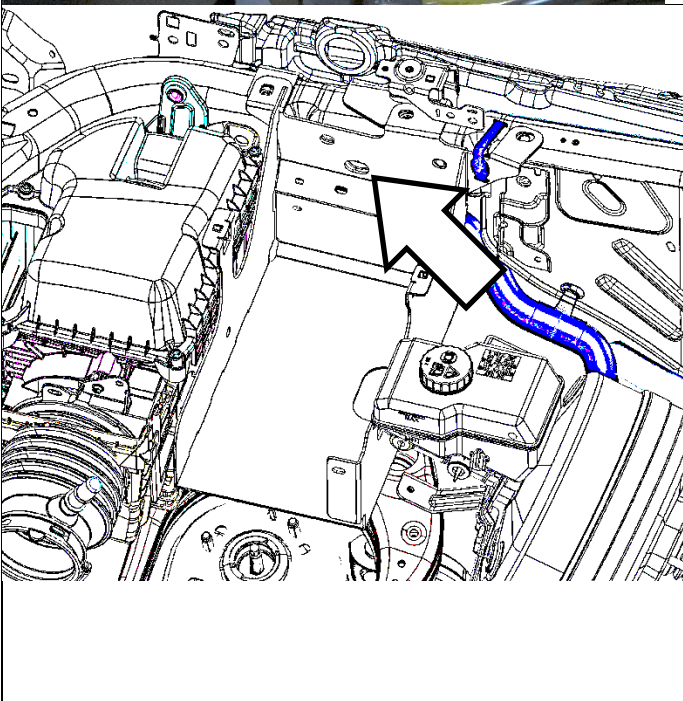


31. Loosen the two earth ring terminals to allow battery tray to be fitted onto the hydroform.

Re-route and fasten back to their original positions once tray is in place.

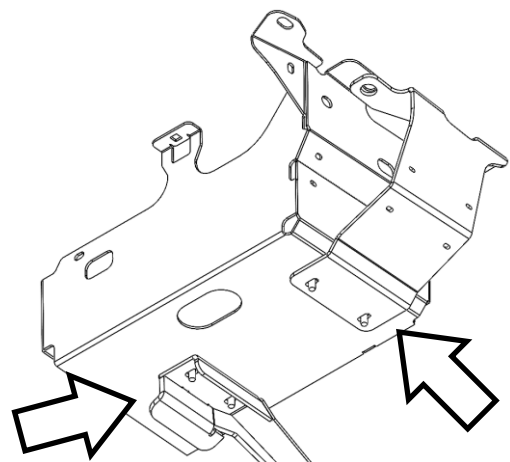


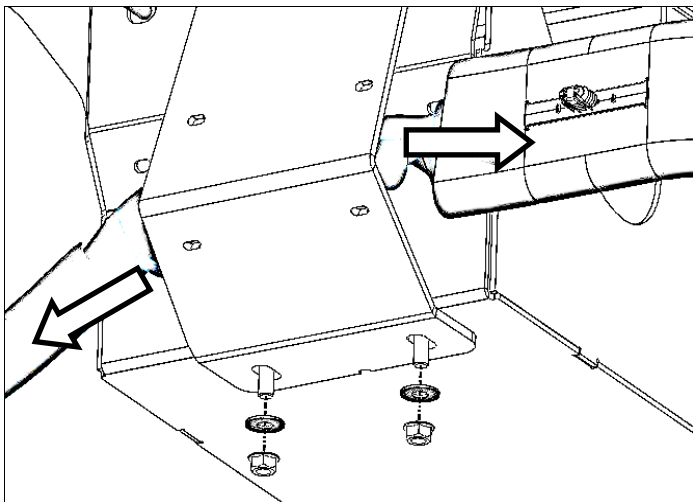
BATTERY/BODY GROUND - 20 Nm.



32. Sit the battery tray into the space as shown. Note the alignment of the slot in the battery tray and the hydroform rail.

Ensure the studs on the tray underside are aligned with the slots in the supporting arm and bracket.

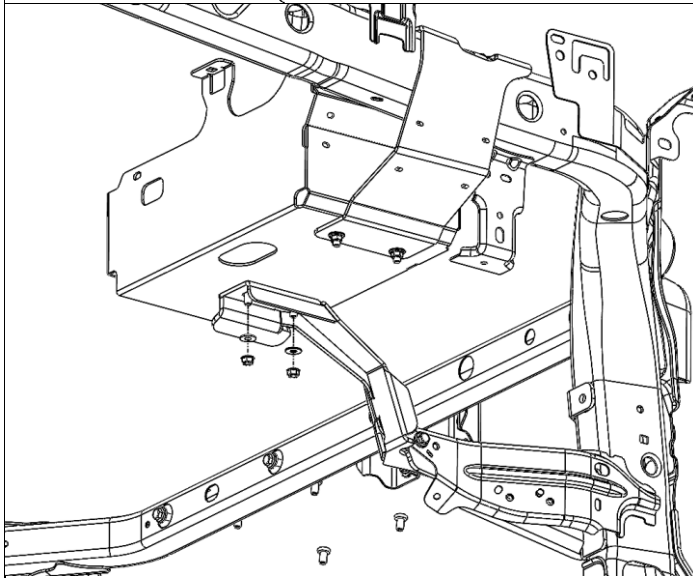




33. Fit two M6x16 flat washers and M6 flange nuts onto the M6 studs on the underside of the battery tray.

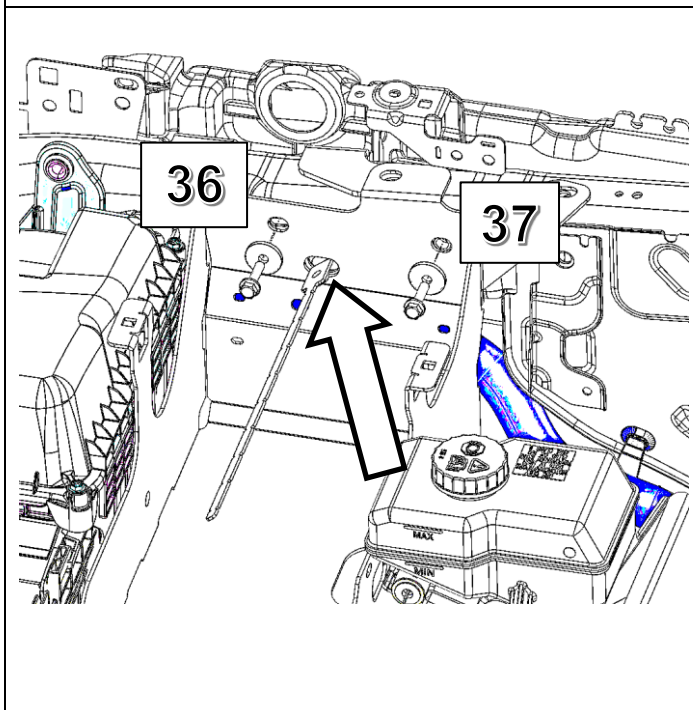
Ensure the vehicle harness passes between the bracket and battery tray as shown.

Do not fully tighten fasteners at this stage.

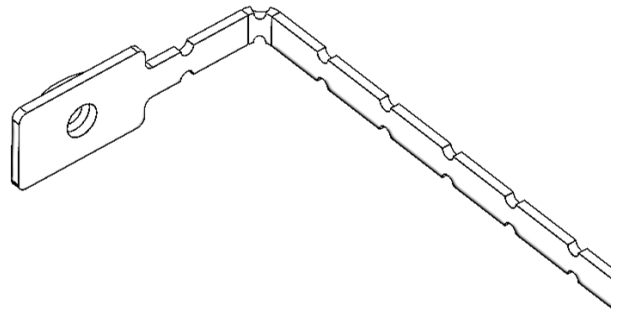


34. Fit the tray to the supporting arm by fastening two M6 flange nuts and two M6x16 flat washers onto the M6 studs on the tray.

Do not fully tighten fasteners at this stage.

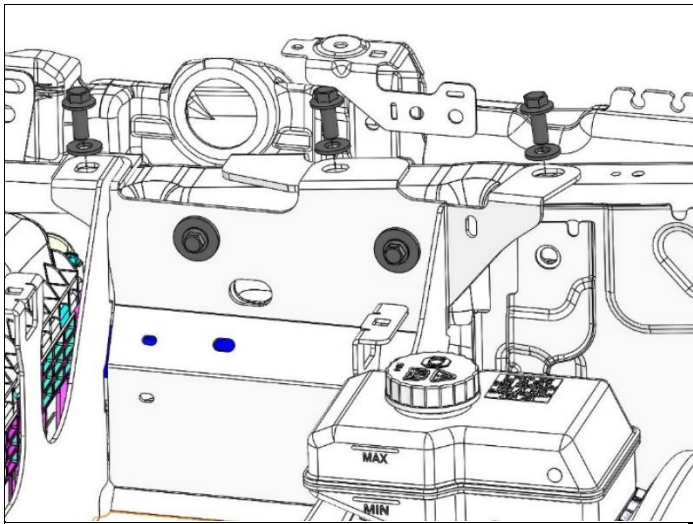


35. Insert one nut stick through the slot shown and fasten using one M6x25 flange bolt fastener and one M6x25 flat washer. Bend nut stick at second flex point as shown.

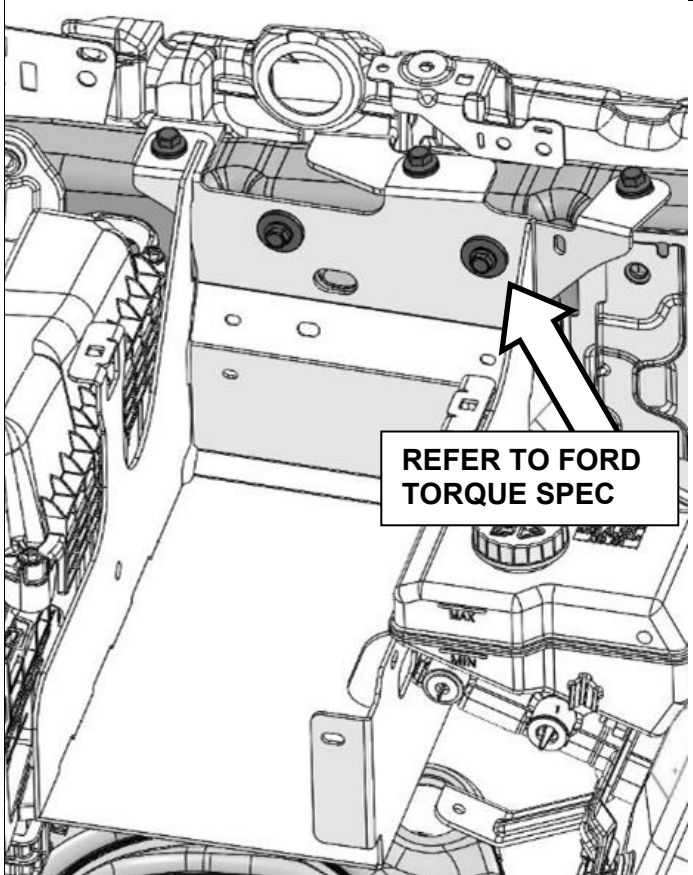


36. Fasten one M6x25 flange bolt and M6x25 washer into the threaded insert in the vehicle frame.

Do not fully tighten fasteners at this stage.





37. Fasten the battery tray over the mounting bracket into the previously fitted M8 nutserts, using three M8x20 flange bolts and M8 flat washers.




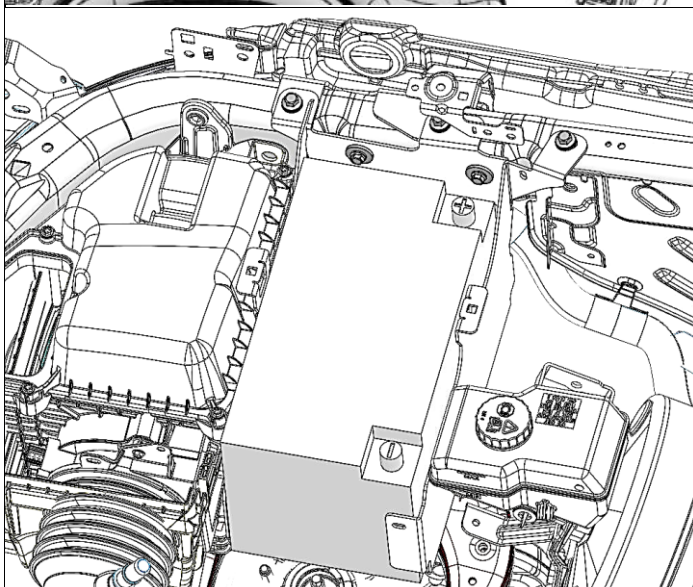
38. Tighten all bolts on battery tray at this stage.

39. Cut the protruding end of the nut stick stem.

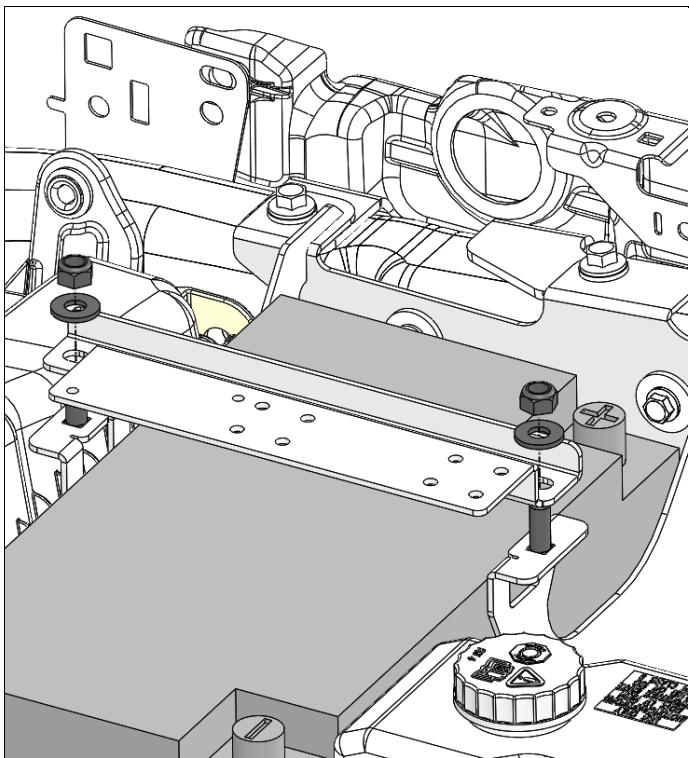
 M6 - 9 Nm.

 M6 – 10.5 Nm. *FORD SPEC for threaded insert in hydroform rail.

 M8 - 22 Nm.

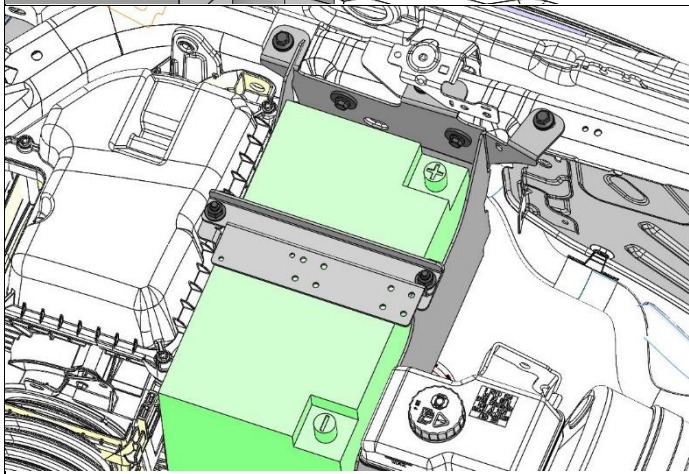
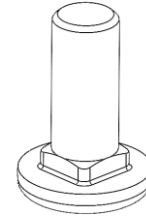


40. Place the battery into the battery tray.

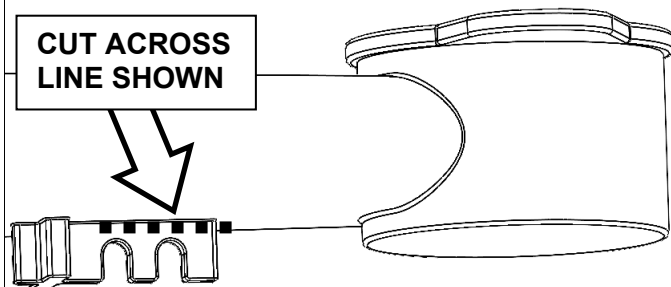


41. Fit the two coach-head bolts into the apertures on each side of the tray as shown. Use tape or a screw driver to hold each bolt in place. Ensure the coach-head bolt is locked into the square aperture in the battery tray. Fit the clamp using an M8 flat washer and M8 Nyloc each side.

 **M8 - 8 Nm on CLAMP NYLOC ONLY**



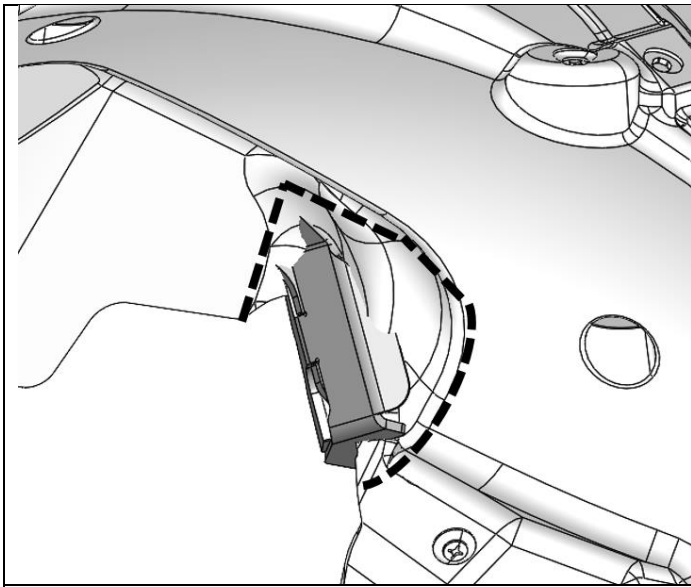
42. Ensure battery is sitting flat and secure in tray.



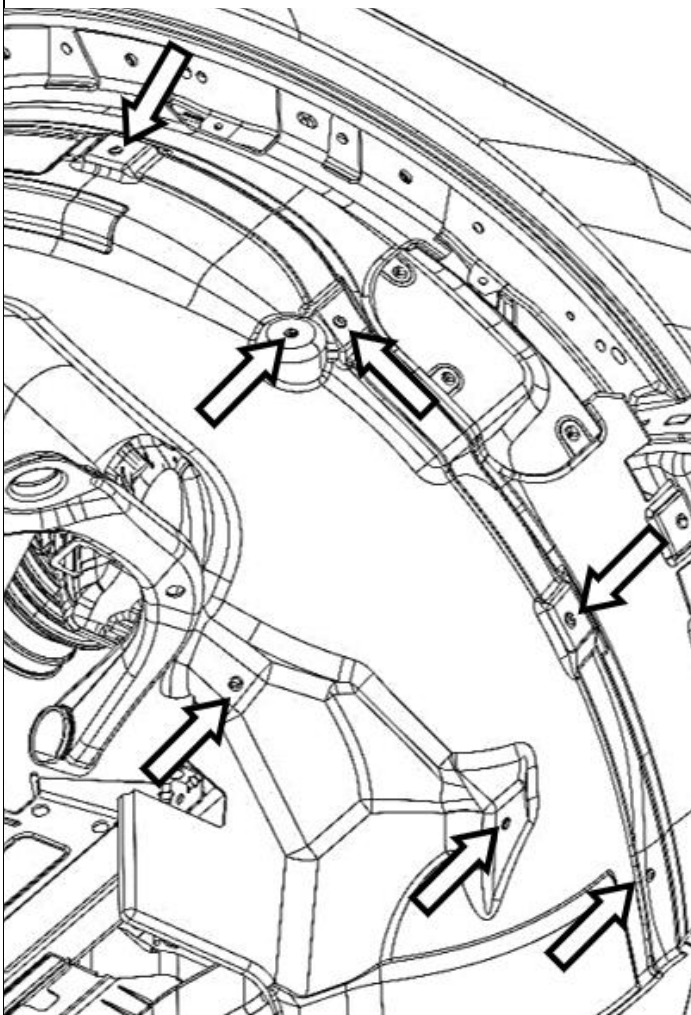
43. Mark a line on the water bottle stem and cut with an oscillating multi-tool as shown.



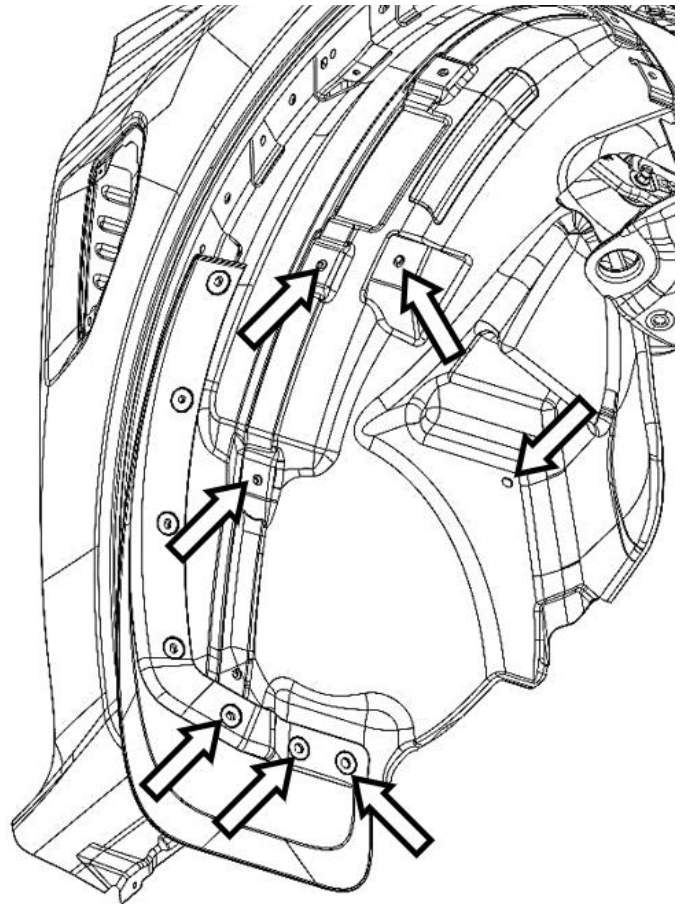
44. Refit the washer bottle stem using the fasteners previously removed in Step 22.



45. Trim the RHS wheel arch liner in the area shown using an oscillating multi-tool so there is approximately 10mm clearance around the supporting arm.



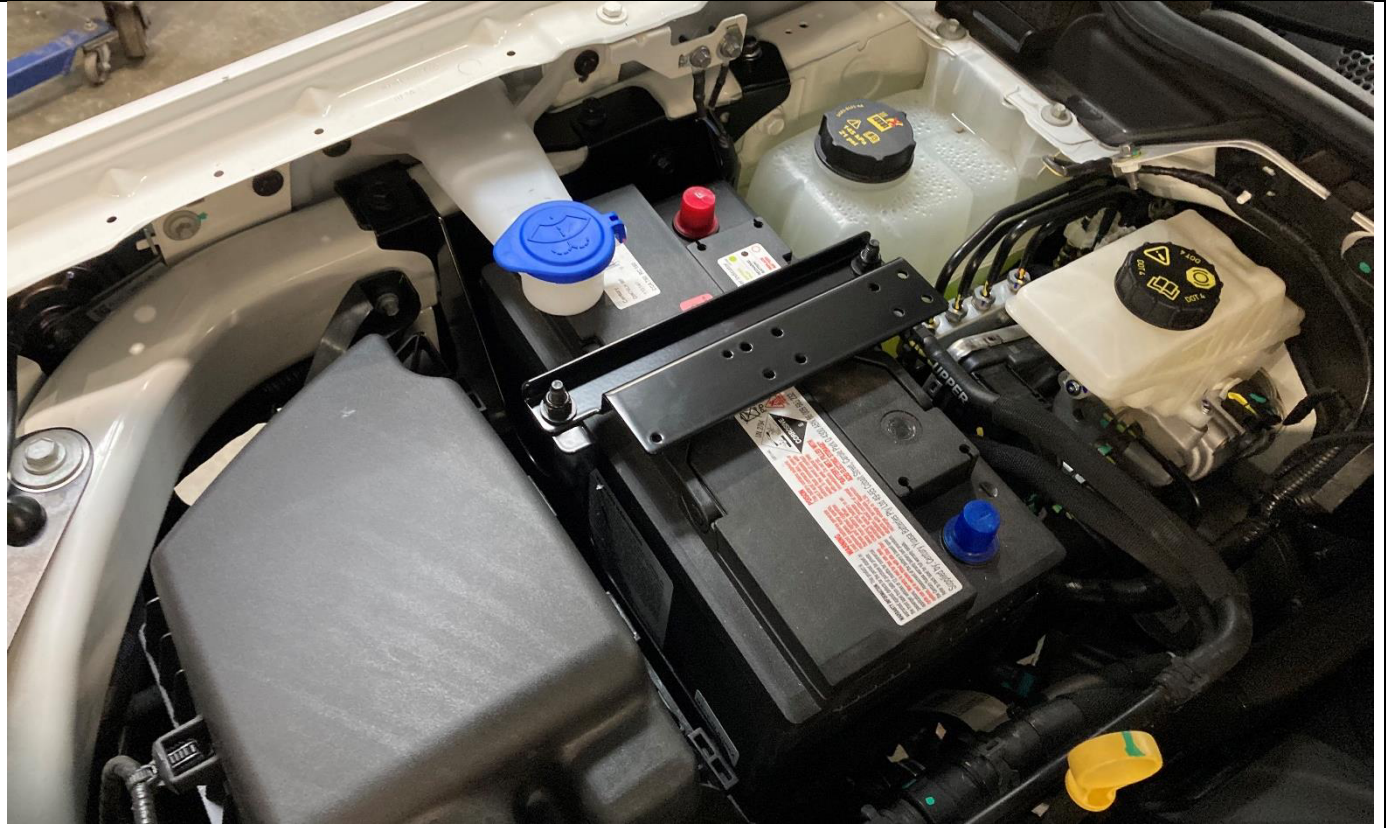
46. Refit the RHS front wheel arch liner using the fourteen fasteners removed in Step 2 and 3.



47. Ensure the wheel arch liners are positioned and secured correctly with all fasteners.

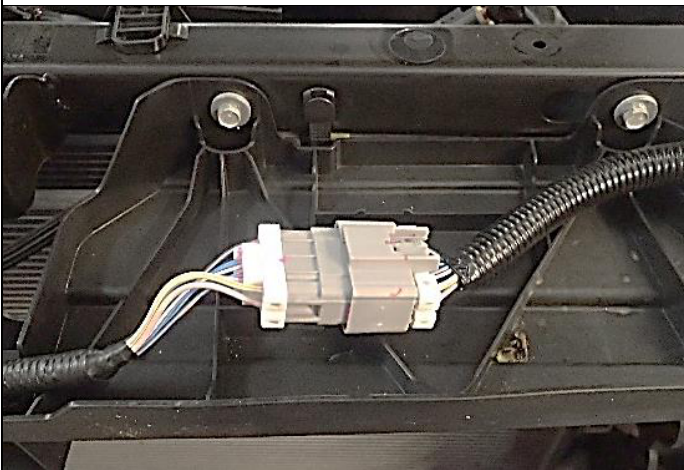
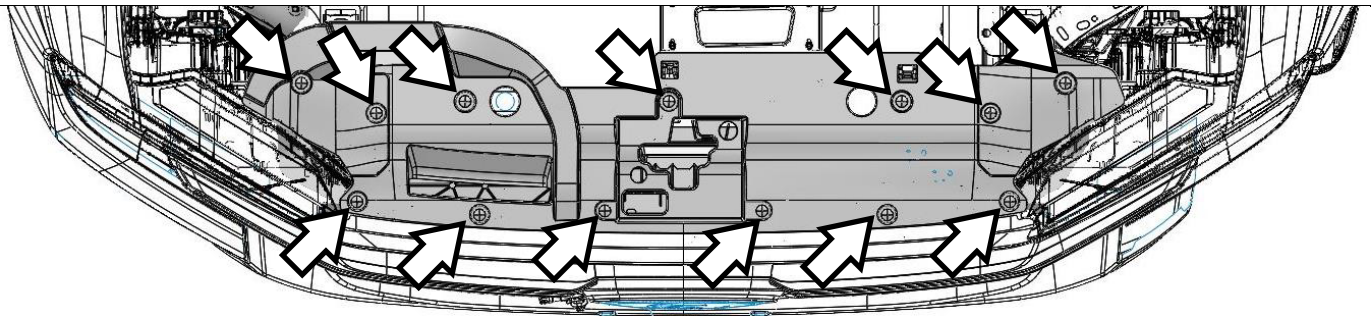


FITTED PRODUCT – AUXILIARY BATTERY TRAY



FITTING PROCEDURE – FIT BCDC KIT 4340130

1. Fit 4240050 Auxiliary Battery Tray (See Pages 3-18).
2. Remove the engine bay front upper shroud by loosening thirteen scrivets.



3. Above the grille, complete the following:
 - a) Disconnect the 20 way connector on front sensor harness by pressing the release and pulling.

If the vehicle is equipped with a front camera:

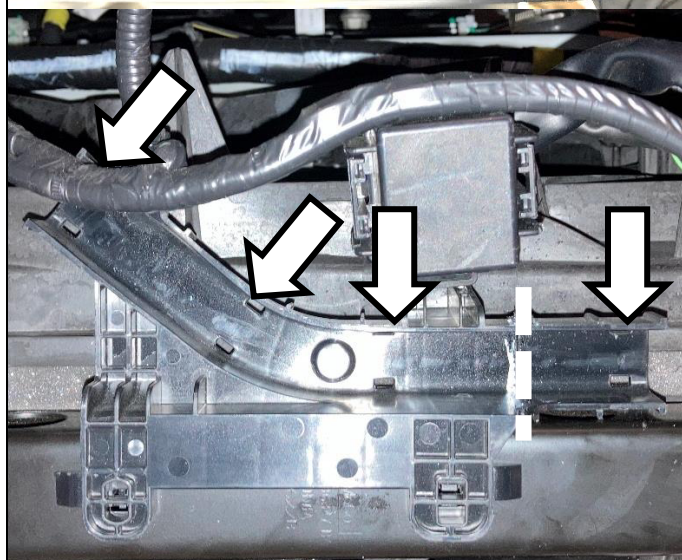
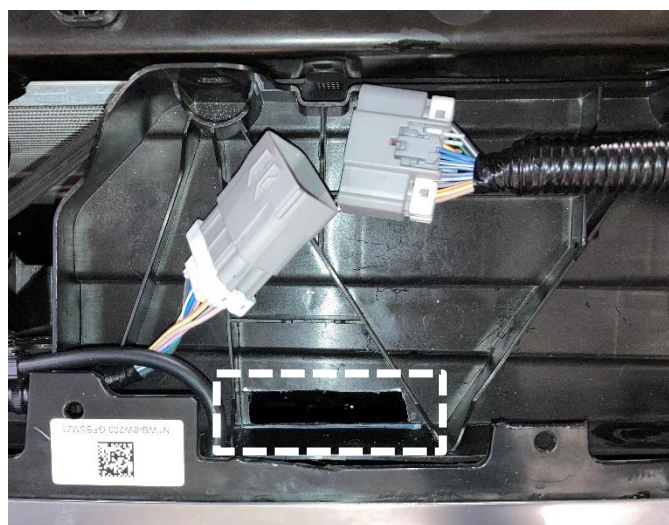
- b) Disconnect coax camera cable.
- c) Disconnect camera washer line.



4. Mark the following items on the radiator trim panel as shown and trim with sidecutters or an oscillating multi-tool.

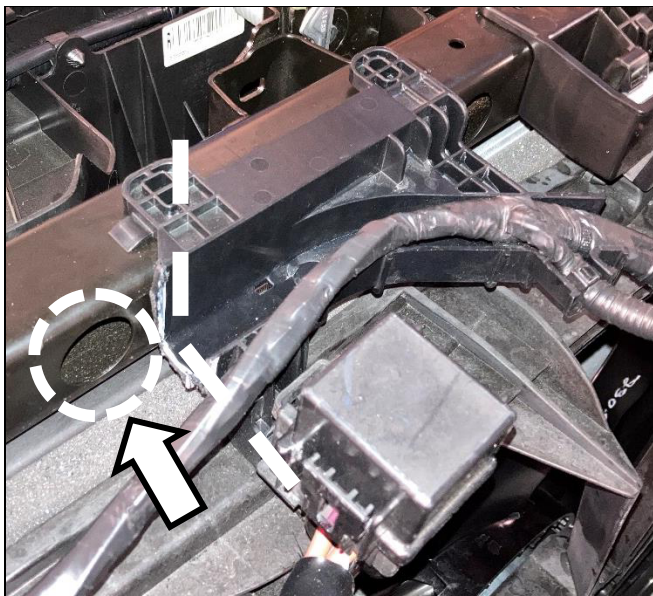


5. Mark the and trim the aperture shown on the radiator trim panel with an oscillating multitool using the dimensions shown.



6. Cut four cable ties holding the loom at the points shown.

Move the loom out of the holder to provide access to make a cut.

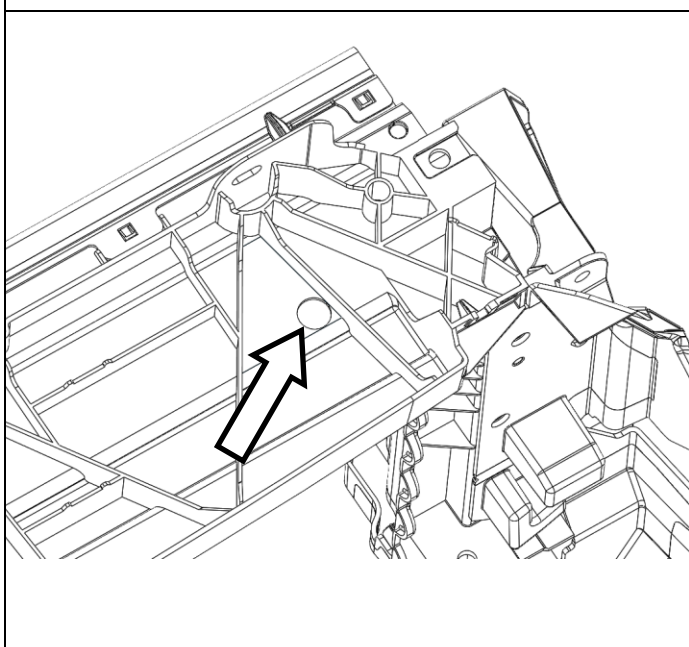


7. Trim the plastic holder using side cutters or an oscillating multi-tool and re-secure loom with cable ties in its original position in the holder.

The aperture in the hydroform should be visible as shown below.



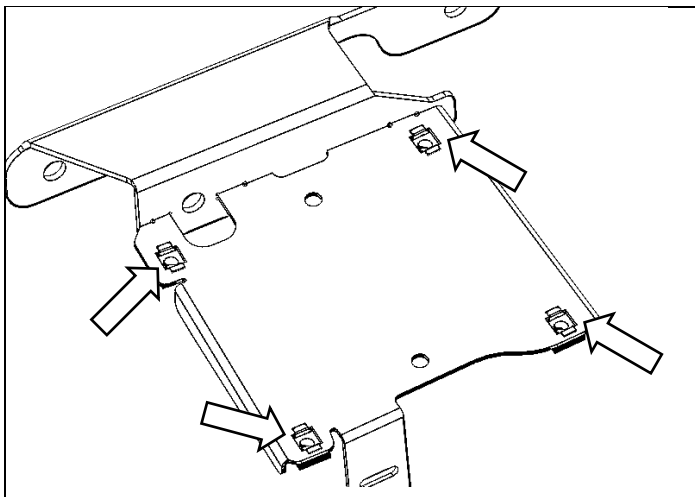
8. Remove the scrivet shown.



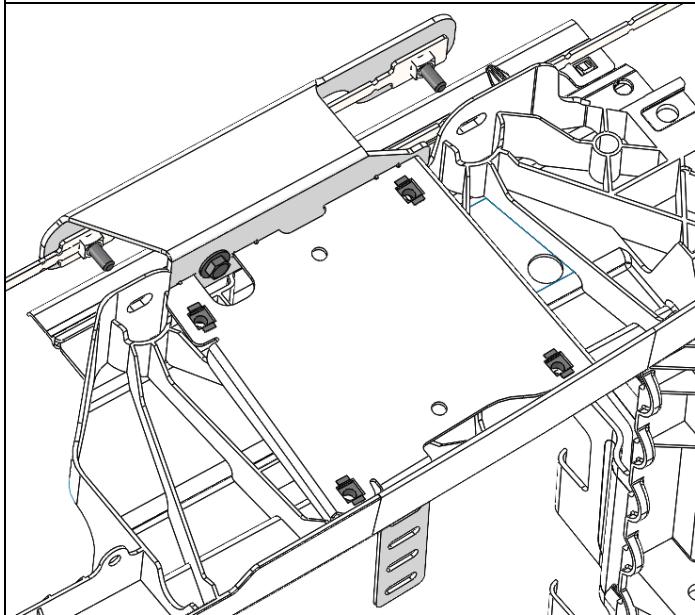
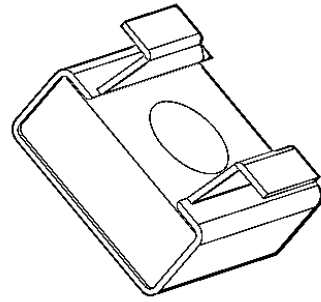
9. Drill a \varnothing 10mm hole in the radiator cover panel in the position shown.

Drill out the hole to \varnothing 20mm using a step drill.

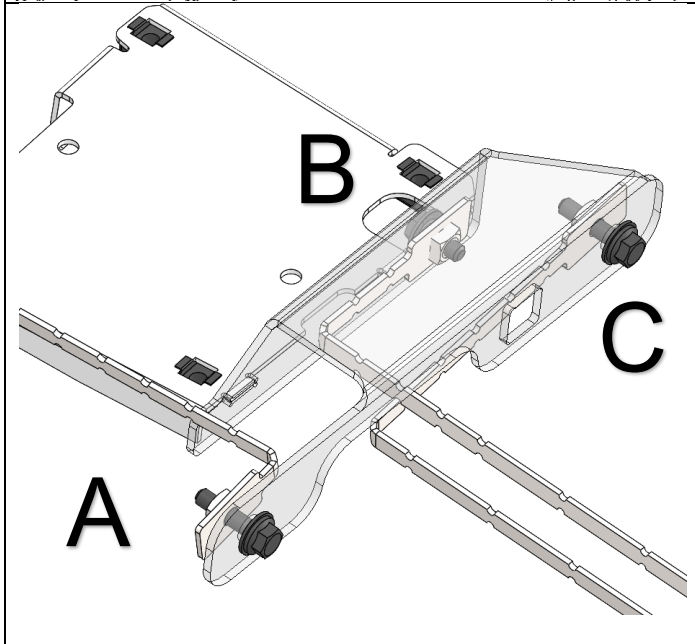




10. Fit four black M6 cage nuts to the BCDC bracket prior to fitting bracket to vehicle.




11. Place the BCDC mount bracket on the radiator cover panel as shown ensuring it clears the items trimmed in previous steps.

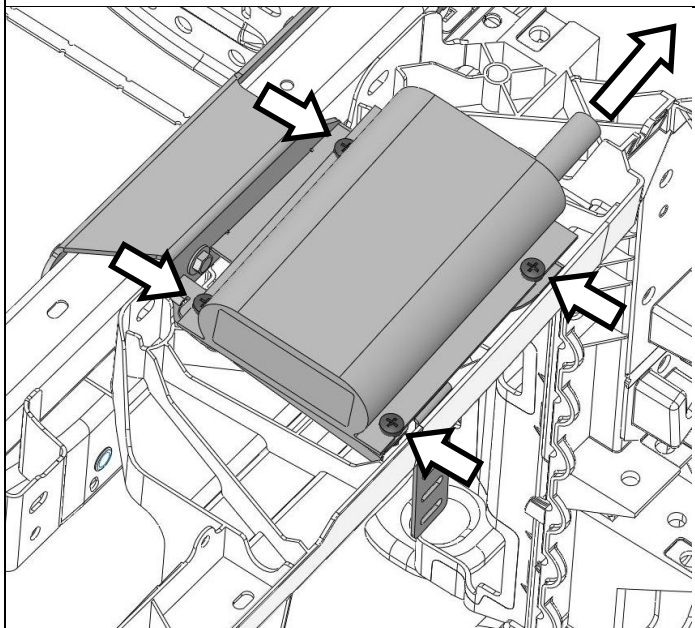
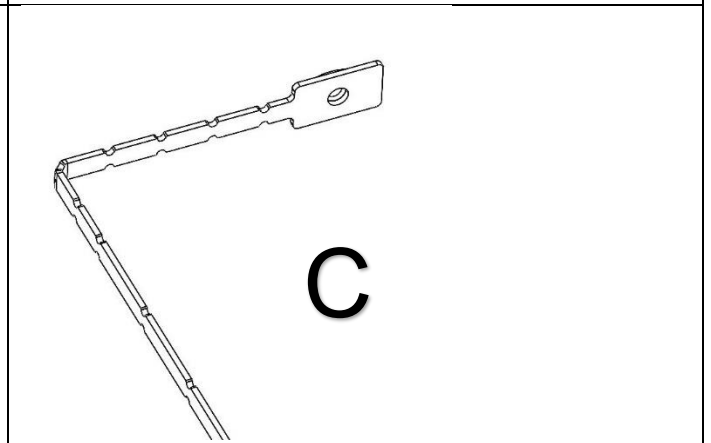
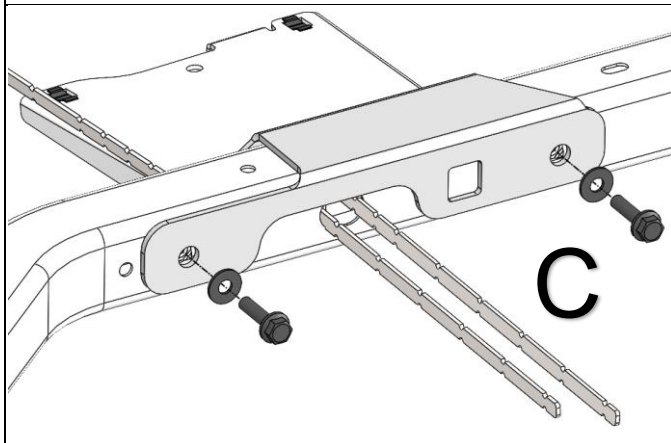
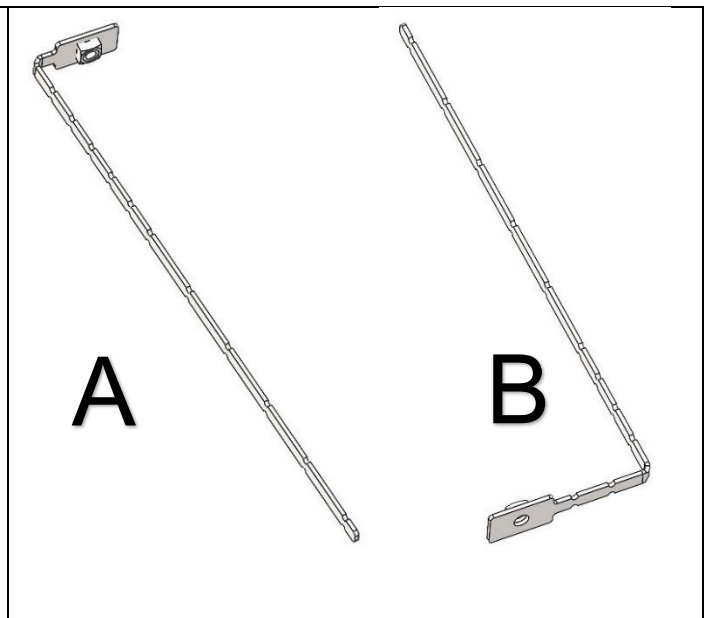
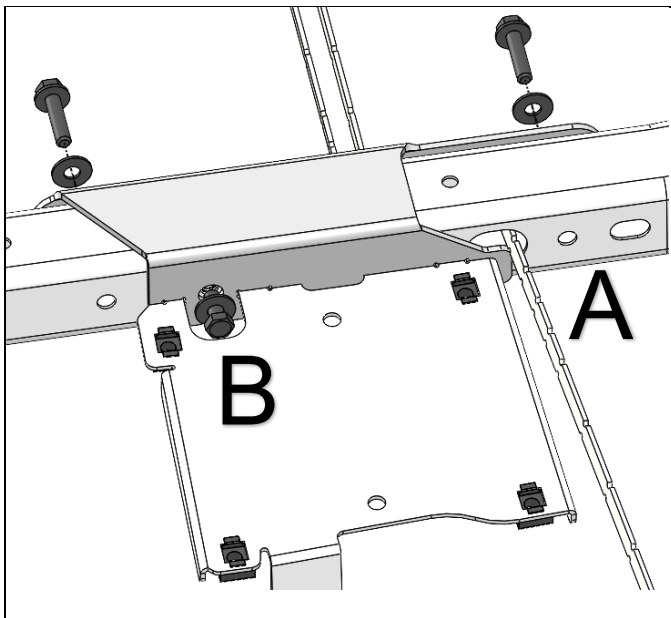


12. Fit the BCDC bracket to the vehicle using three 6152104 nut sticks using the aperture shown.


Fasten using two M6x25 flange bolts and M6 flat washers at the rear of the bracket;
Fasten using one M6x16 hex screw and M6 flat washer at the front of the bracket

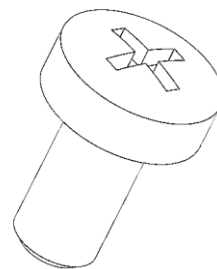
 M6 - 9 Nm.

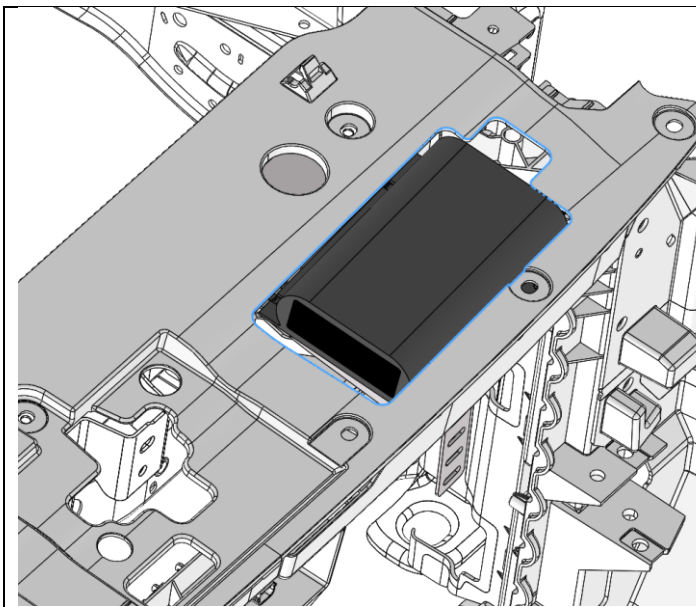
NOTE: See images below for nut stick positioning.



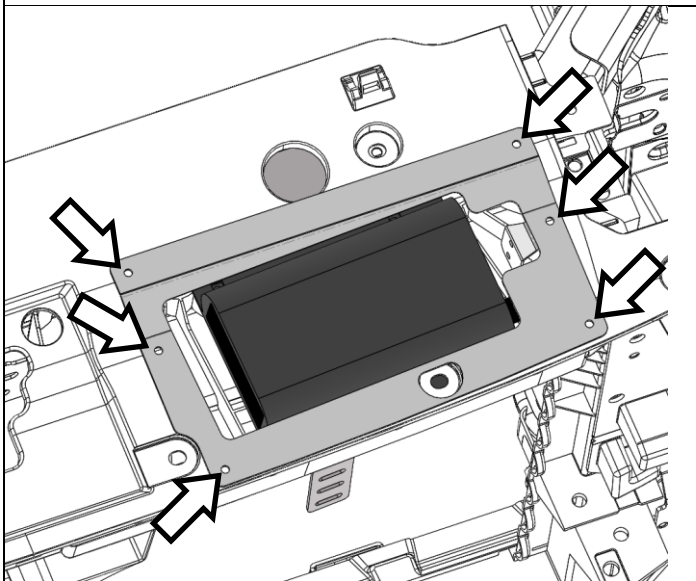
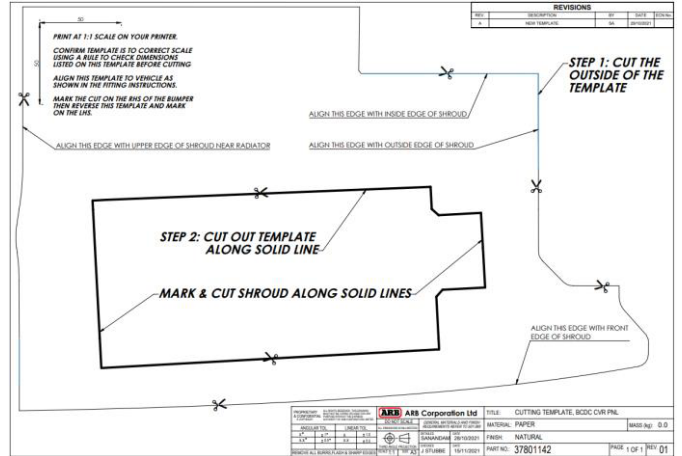
13. Fit the BCDC unit with the cable pointing towards the LHS of the vehicle, using the four M6x12 screws provided.

 M6 - 9 Nm.

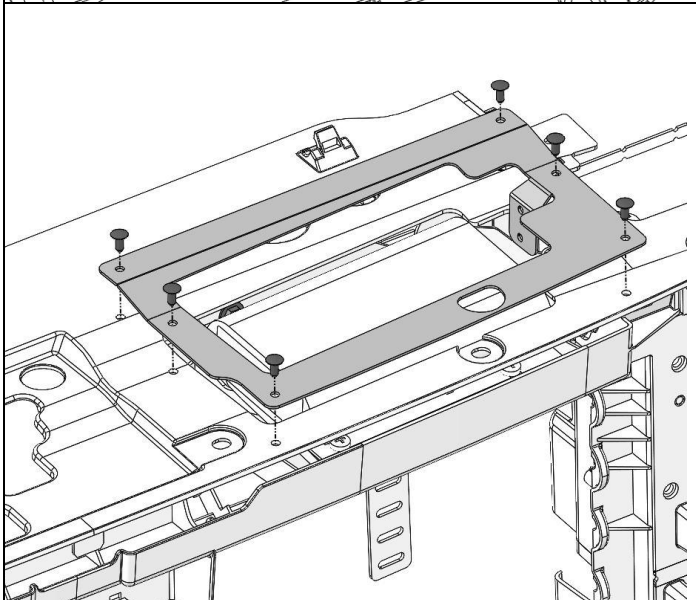




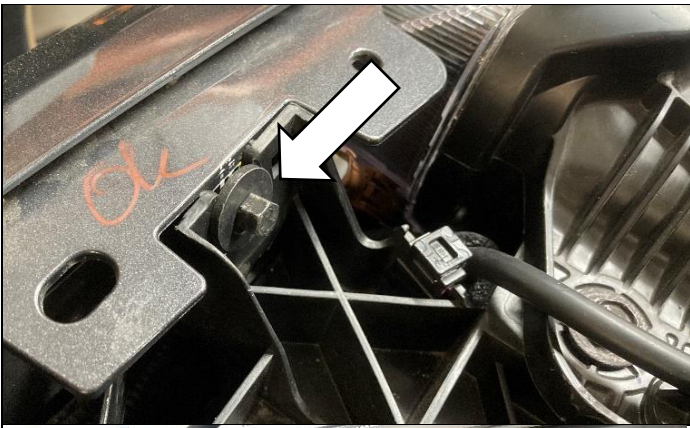
14. Using the cover panel cutting template provided, trace the cutting template to the upper shroud.
Cut the shroud with an oscillating multi-tool.



15. Place the BCDC cover panel over the cut and check the BCDC charger fits inside the trimmed area.
Mark the 6 holes shown using a paint marker.



16. Drill the marked holes using a $\varnothing 5\text{mm}$ drill bit and rivet the BCDC cover panel to the upper shroud using the six rivets provided.



17. Remove the top two bolts which secure the grille.

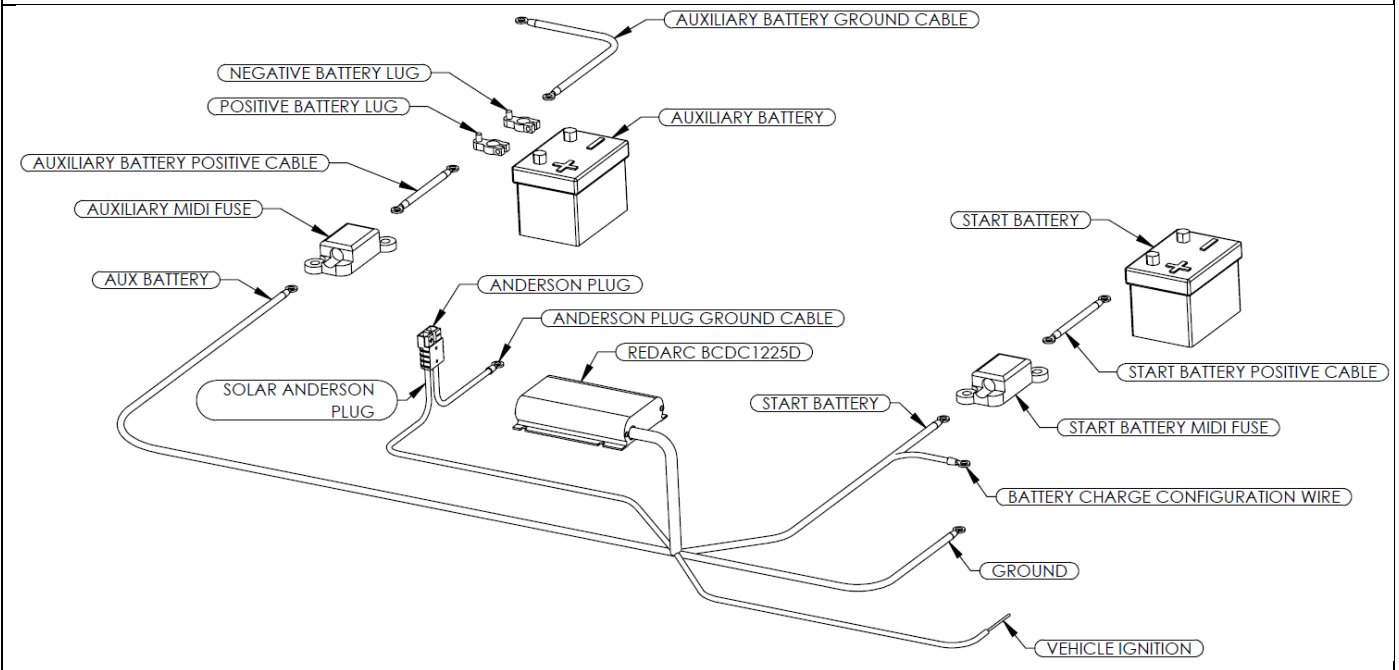


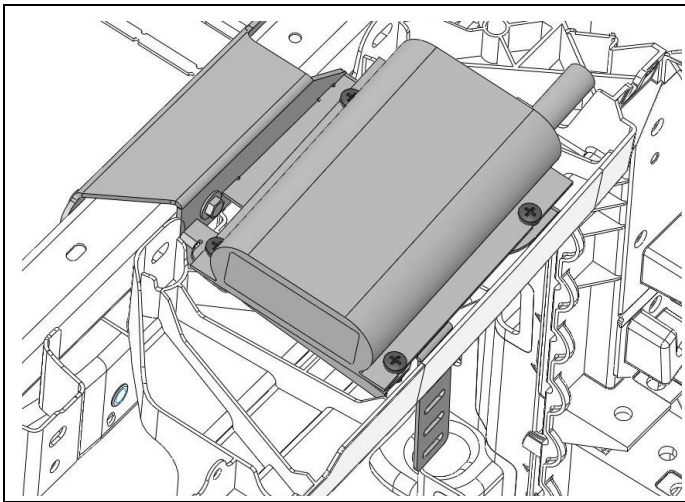
18. Gently unclip and remove grille starting from the light fixtures and top of grille.

19. Set aside grille safely on a soft surface.

Fitting Procedure – BCDC Wiring Instructions

Please study the battery tray harnesses and connectors as these will be referenced throughout this instruction. In this document, words in CAPITALS are referenced to the layout IMAGE 1.





1. With the BCDC1225D positioned on top of the radiator trim panel, make note of the cables and wires extending from the charger for routing.



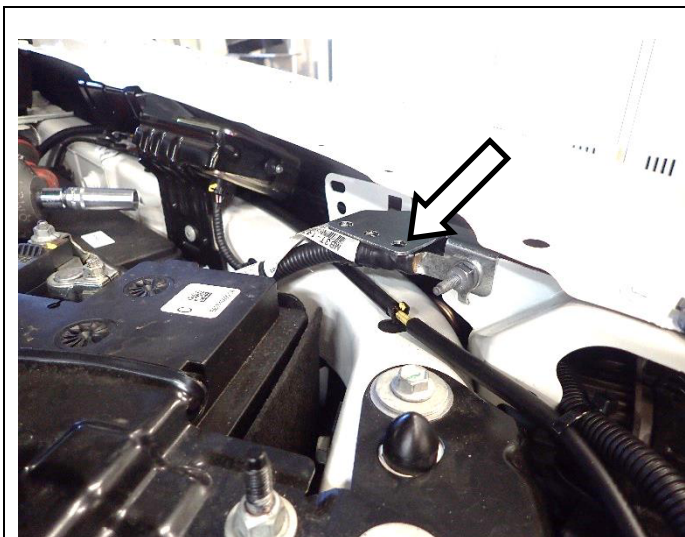
2. Locate wire labelled "GROUND".
Route "GROUND" wire behind left side headlight.



3. Route "GROUND" wire behind left side quarter support panel.



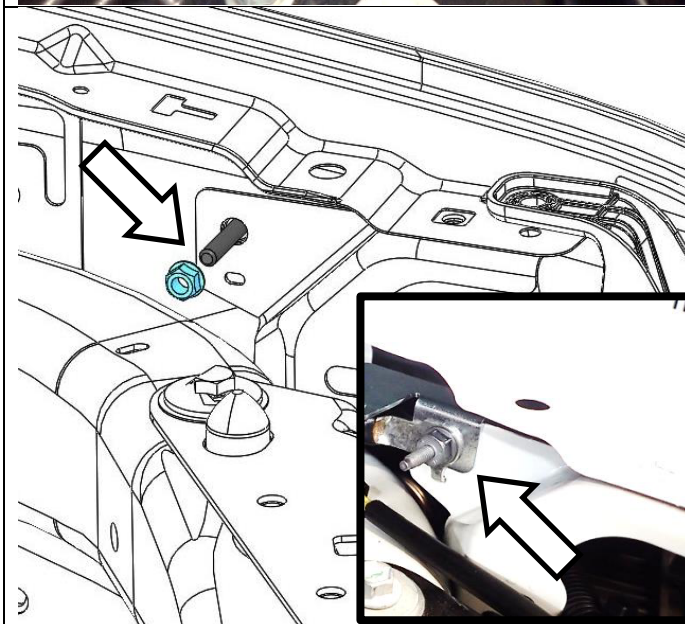
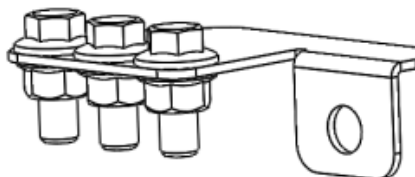
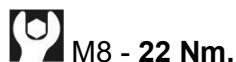
4. Source M8 bolt and nut, fit bolt into "GROUND" terminal.
The bull bar kit includes an M8 flange bolt and flange nut for this connection.



IF BULL BAR IS FITTED

5. Fasten and secure the "GROUND" ring terminal to the ground busbar beneath the quarter panel.

The ground busbar 3195561 was supplied and fitted with the vehicle ARB bull bar.



IF BULL BAR NOT FITTED

6. On the body earth point, remove the bolt & nut securing the earth cable to the body.

Remove the ring terminal from the earth point and fasten and secure the "GROUND" ring terminal beneath the vehicle earth ring terminal.

Secure with original bolt and nut.



7. Locate wire labelled "START BATTERY".

Route "START BATTERY" wire behind left side headlight.



8. Route "START BATTERY" wire behind left side quarter support panel.



9. Pull out "START BATTERY" wire to behind battery.



10. Locate "START BATTERY POSITIVE CABLE" as shown.

Locate START BATTERY MIDI FUSE as shown.



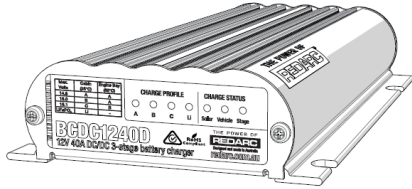
11. Install the "START BATTERY POSITIVE CABLE" M5 ring terminal onto the START BATTERY MIDI FUSE.

Install the "START BATTERY" M5 ring terminal onto the other end of the START BATTERY MIDI FUSE.

THE POWER OF
REDARC[®]

Dual Input Multi-stage 12V In-vehicle Battery Charger

BCDC1225D, BCDC1240D



12. There is a “BATTERY CHARGE CONFIGURATION WIRE” routed with the “START BATTERY” wire.

This “BATTERY CHARGE CONFIGURATION WIRE” determines the BCDC charge profile and can be installed in various configurations for different battery types.

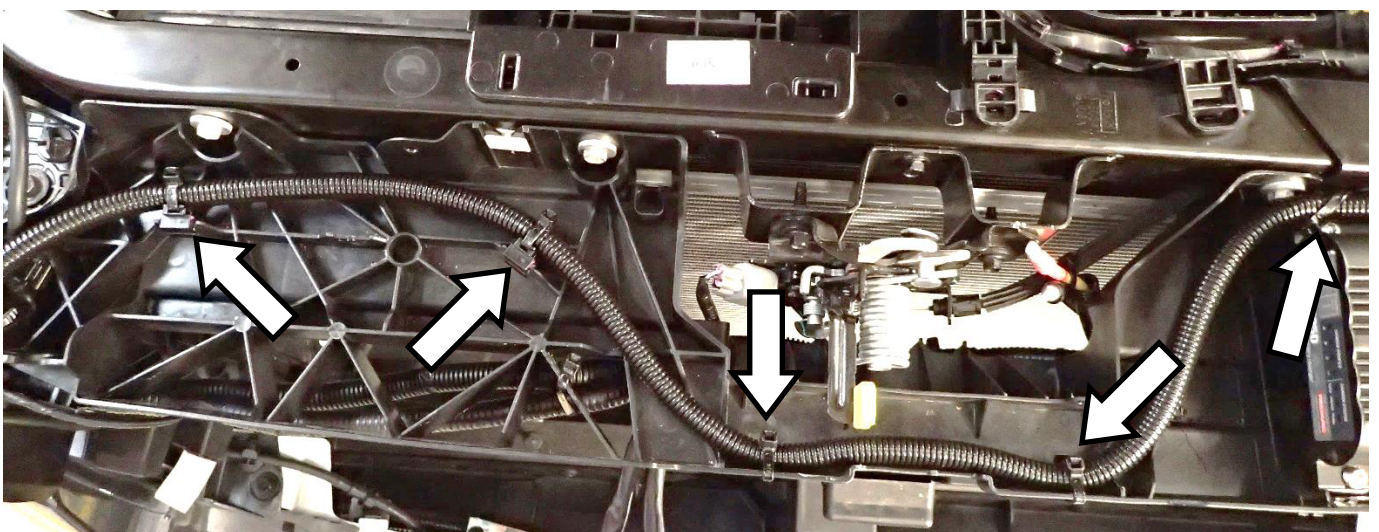
Refer to the REDARC website to determine the correct configuration of this wire for your battery.

Ensure this wire is connected as per the battery type.

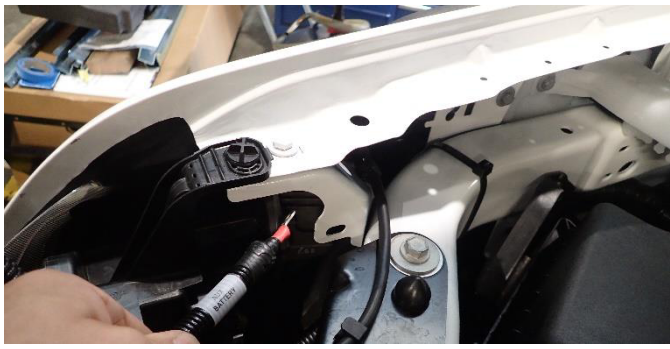
13. Locate wire labelled “AUX BATTERY”.

Route “AUX BATTERY” wire along the radiator trim panel.

With cable ties, secure the “AUX BATTERY” wire as shown.



14. Route “AUX BATTERY” wire behind right side headlight.



15. Route "AUX BATTERY" wire behind right side quarter support panel.



16. Locate the AUXILIARY BATTERY POSITIVE CABLE as shown.

Locate the AUXILIARY MIDI FUSE as shown.



17. Install the AUXILIARY BATTERY POSITIVE CABLE M5 ring terminal onto the AUXILIARY MIDI FUSE.

Install the AUX BATTERY M5 ring terminal onto the other end of the AUXILIARY MIDI FUSE.

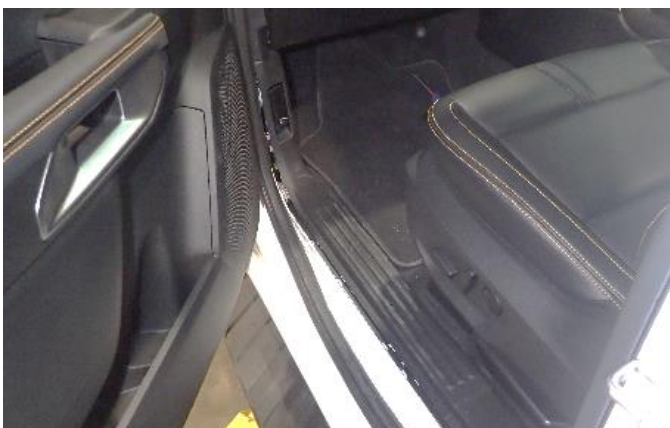


M5 - 6 Nm.



18. Inside the vehicle left hand side footwell, find and remove the christmas tree plug as shown.

A screw driver may assist to lever the plug out.



19. Lift the rubber seal surrounding the left hand side sill panel.



20. Remove door sill panel as shown. This can be removed by lifting the sill panel and then rotating up.



21. Locate firewall grommet located in the engine bay behind the left hand side fuse box.



22. With a sharp blade, cut and remove the nipple from the firewall grommet.



23. Locate the wire labelled "VEHICLE IGNITION".



24. Route "VEHICLE IGNITION" wire down behind the left hand headlight.



25. Route "VEHICLE IGNITION" wire behind left side quarter support panel.

Route the "VEHICLE IGNITION" wire inside the quarter panel toward the firewall grommet.



26. Find a short length of plastic pipe or similar.

On the end of the pipe, cut a sharp point.

Take the "VEHICLE IGNITION" wire and tape onto the plastic pipe. Ensure the tape removes all sharp edges to ensure it will pass through the firewall grommet with ease.



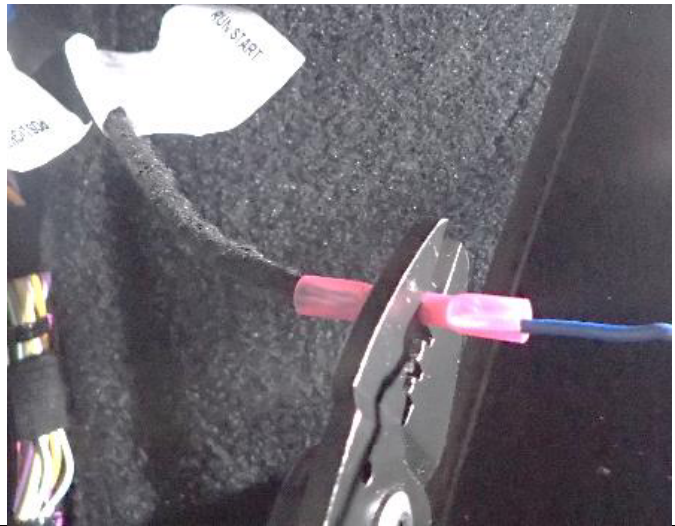
27. Spray the pipe and taped "VEHICLE IGNITION" wire with lubricant.

Feed pipe through firewall grommet nipple.



28. On the vehicle left hand side footwell, locate and pull the pipe through the firewall grommet.

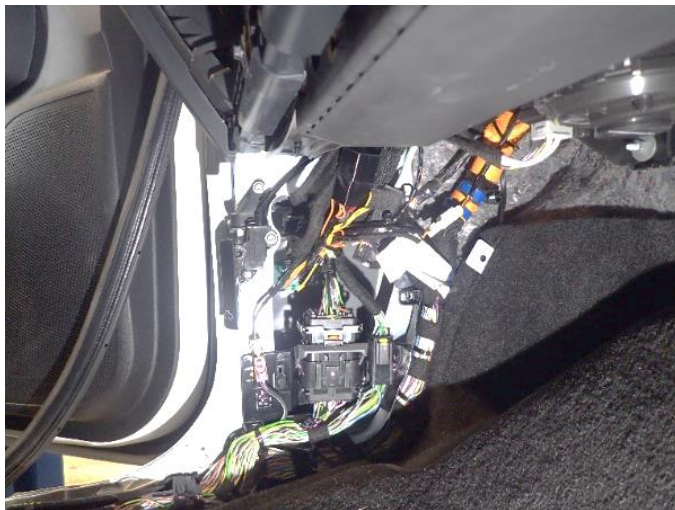
Remove tape and pipe leaving the "VEHICLE IGNITION" wire inside the vehicle.



29. On the vehicle left hand side footwell, locate vehicle wire with label "RUN START".

With a crimping tool, take the crimp joiner supplied in the ARB harness kit and join the vehicle wire labelled "RUN START" with the "VEHICLE IGNITION" wire.

Using a heat gun, apply heat to secure and seal the join.



30. In the left hand side footwell, bundle all cables to the existing vehicle harness.

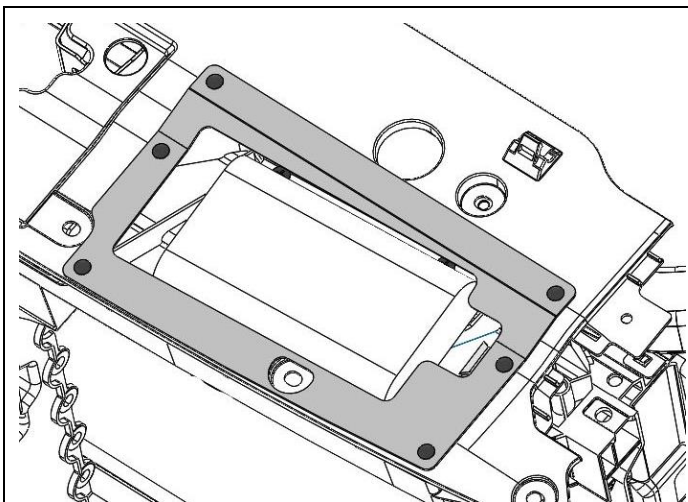
Secure all with cable ties.



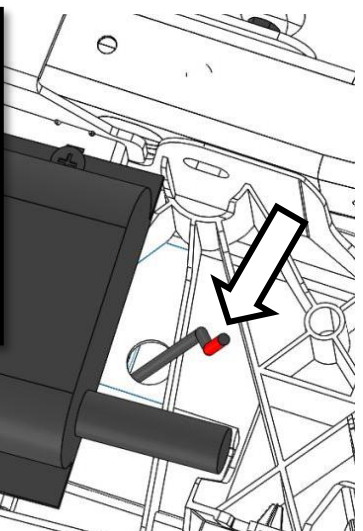
31. Refit the passenger side footwell panel. Press at various locations to ensure all clips are engaged.

Refit the footwell christmas tree plug.

Reinstall the rubber seal. Press at various locations to ensure all is secure.



32. Place shroud with the BCDC cover panel fitted loosely on top of its original position.



33. Locate the wire labelled "SOLAR ANDERSON PLUG".

Route wire through the \varnothing 20mm hole previously drilled in the radiator trim panel in Step 9 of the BCDC kit instructions.

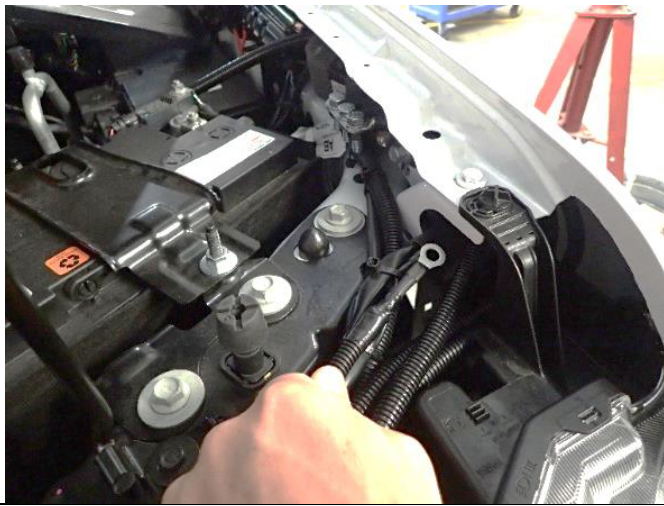
Push "SOLAR ANDERSON PLUG" into "ANDERSON PLUG" positive terminal.



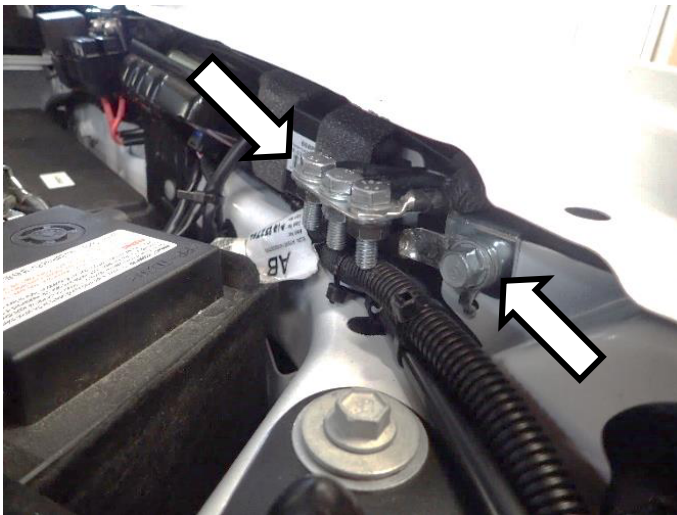
34. Locate "ANDERSON PLUG GROUND CABLE" with ring terminal and Anderson terminal as shown.



35. Route "ANDERSON PLUG GROUND CABLE" ring terminal through gap to behind headlight.



36. Route “ANDERSON PLUG GROUND CABLE” ring terminal through gap behind quarter panel support.



IF BULL BAR FITTED

37. Fasten and secure the “ANDERSON PLUG GROUND CABLE” ring terminal onto the ground busbar adjacent the battery.

IF BULL BAR NOT FITTED

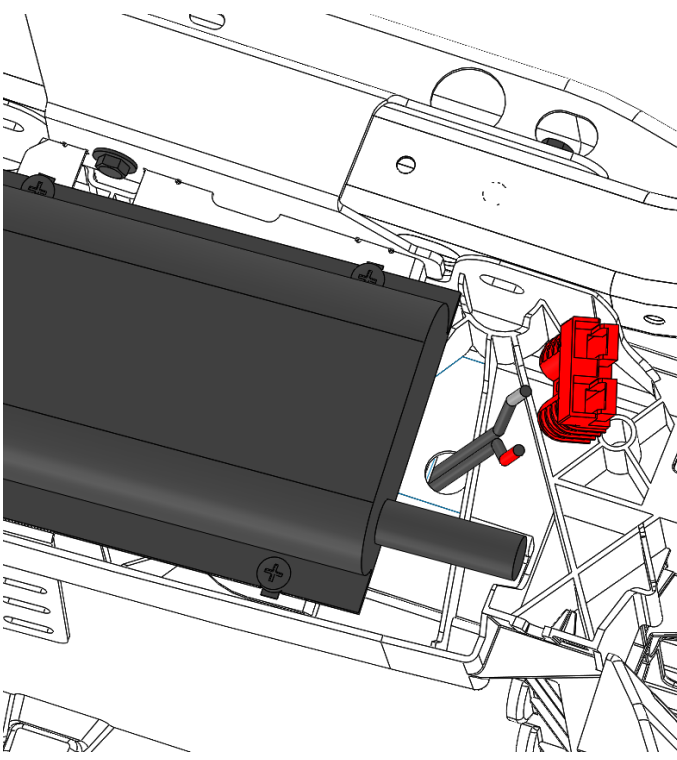
Fasten and secure the “ANDERSON PLUG GROUND CABLE” ring terminal beneath the vehicle earth ring terminal – follow the same process shown in Step 6.



BATTERY/BODY GROUND - 20 Nm.



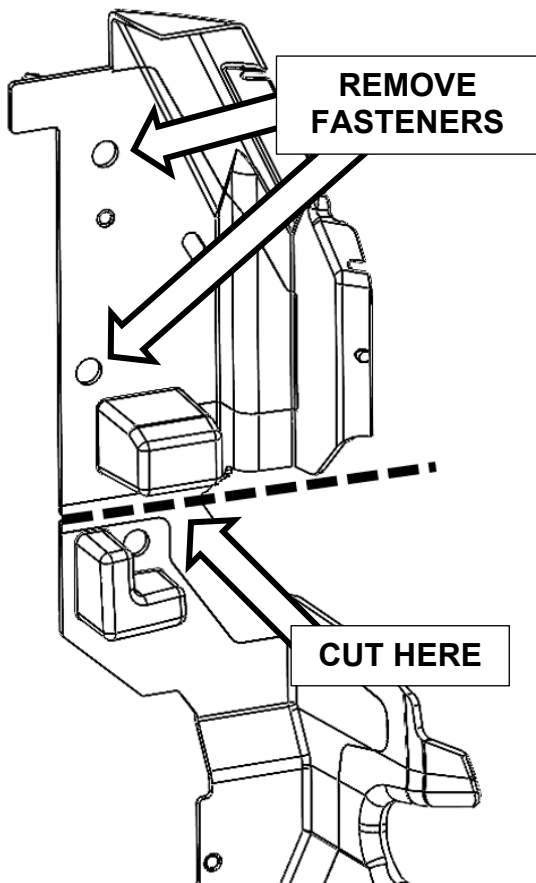
M8 - 22 Nm.



38. Route “ANDERSON PLUG GROUND CABLE” from below radiator trim panel through the Ø 20mm hole drilled in Step 9 of the BCDC kit instructions.

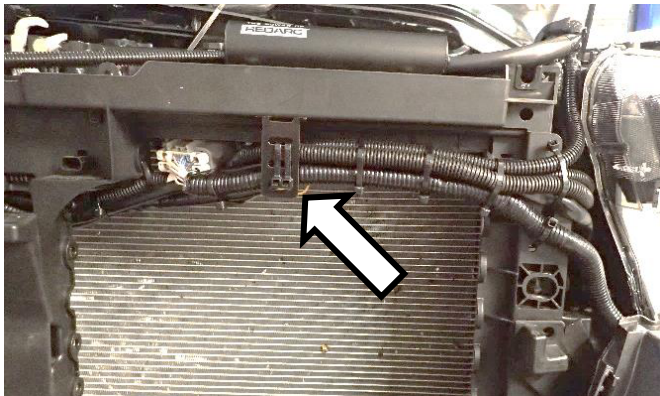
Take the “ANDERSON PLUG GROUND CABLE” Anderson terminal and push terminal into Anderson plug negative.





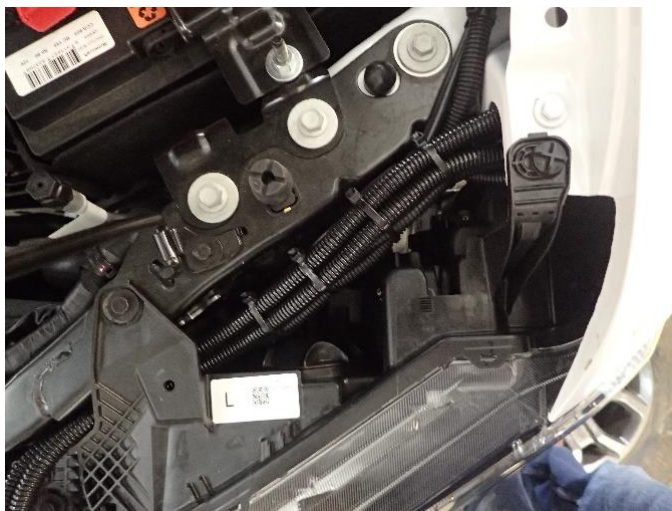
39. Remove two upper fasteners to loosen the upper LHS section of the air deflector.

Use a stanley knife to cut through the rubber section on the LHS air deflector and discard.



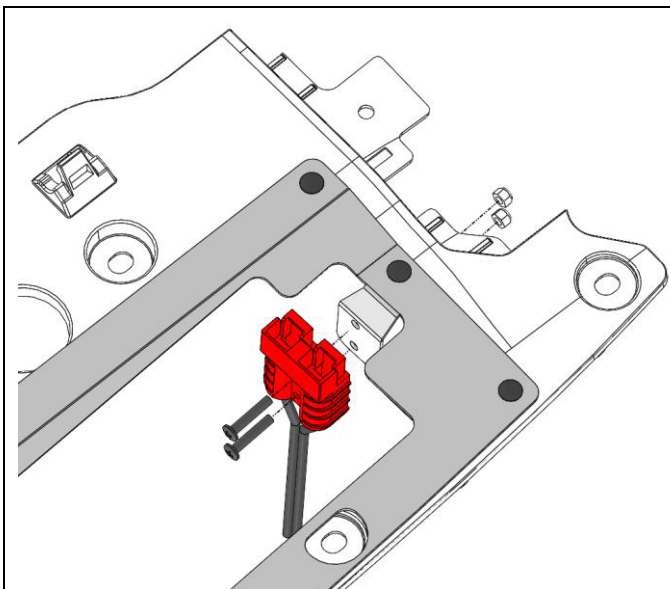
40. Beneath the radiator trim panel, secure harness bundle with cable ties.

Secure harness to the BCDC mounting bracket with two cable ties as shown.

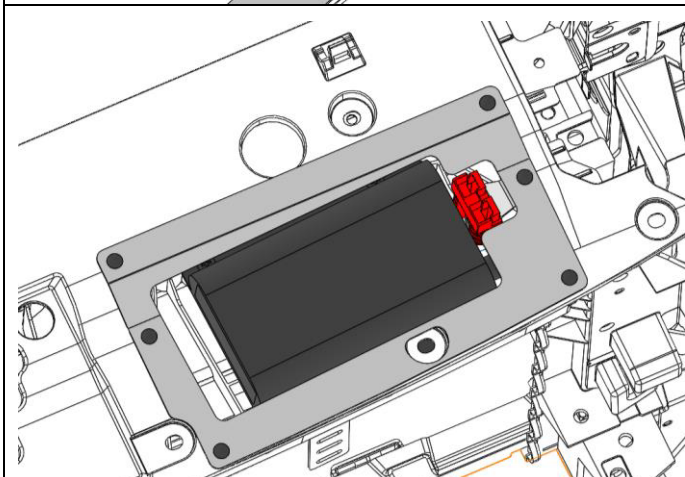


41. Bundle and secure harness behind left hand side headlight.

Bundle and secure harness behind left hand quarter panel.



42. With the shroud still loose, fasten the red SOLAR Anderson plug to the BCDC cover panel in the position shown using the two M3x25 and M3 Nylocs provided.



43. Refit the shroud in its original position using the thirteen fasteners removed in Step 2 of the BCDC kit instructions.



44. Locate the "AUXILIARY BATTERY GROUND CABLE" with M8 ring terminals on each end as shown.



45. Locate the TAPTITE thread forming screw as shown.

On the right side quarter panel, adjacent the auxiliary battery, insert the screw with the "AUXILIARY BATTERY GROUND CABLE" into vacant hole on vehicle body.

Thread bolt into hole to secure the ring terminal.

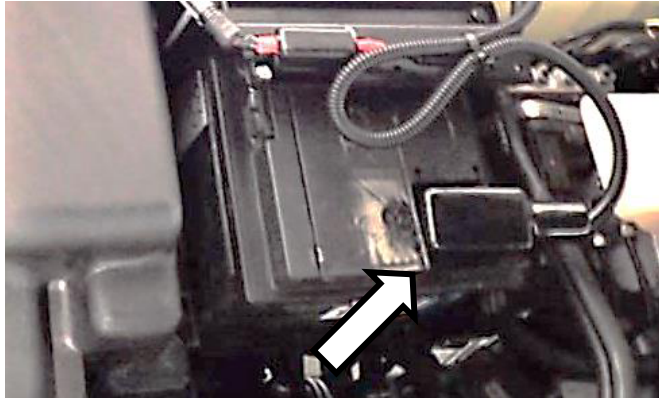


BATTERY/BODY GROUND - 20 Nm.



46. On the opposite side of the “AUXILIARY BATTERY GROUND CABLE”, push the ring terminal into the black terminal cover.

Connect the “AUXILIARY BATTERY GROUND CABLE” onto the NEGATIVE BATTERY LUG.



47. Connect NEGATIVE BATTERY LUG onto the auxiliary battery negative terminal.

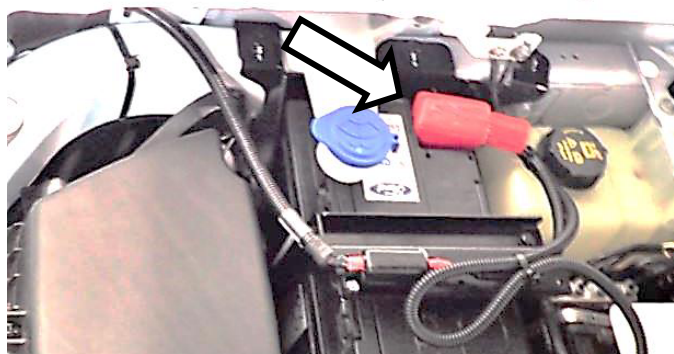


BATTERY/BODY GROUND - 20 Nm.



48. On the “AUXILIARY BATTERY POSITIVE CABLE”, push the ring terminal into the red terminal cover.

Connect the “AUXILIARY BATTERY POSITIVE CABLE” onto the POSITIVE BATTERY LUG.



49. Connect the POSITIVE BATTERY LUG onto the auxiliary battery positive terminal.



BATTERY/BODY GROUND - 20 Nm.



50. Fasten the 40A fuse holder to the battery clamp using the M4 fasteners provided and route cables appropriately using cable ties.



51. Locate the "START BATTERY POSITIVE CABLE".

Secure 'START BATTERY POSITIVE CABLE' onto existing harness and secure START BATTERY MIDI FUSE as shown.

IF BULL BAR FITTED

Fit the "START BATTERY POSITIVE CABLE" ring terminal onto the battery positive busbar as shown.

Fasten using one coach head bolt and one M8 flange nut. Busbar, bolt and nut are included supplied with bull bar.

IF BULL BAR NOT FITTED

Fit the "START BATTERY POSITIVE CABLE" ring terminal on a spare battery positive terminal or underneath a currently fitted battery positive ring terminal.



BATTERY/BODY GROUND - 20 Nm.

M6 - 9 Nm.

M8 - 22 Nm.



52. Reconnect the battery ground wire onto START BATTERY negative terminal.

Reconnect the battery positive wire onto START BATTERY positive terminal.



BATTERY/BODY GROUND - 20 Nm.

53. Basic dual battery electrical test.

- A. With the vehicle ignition off and no solar input.

Measure the auxiliary battery voltage. The voltage should be below 14.0V depending on the charge level of the battery.

- B. Start the vehicle engine.

The BCDC Vehicle LED should illuminate and the Stage LED should illuminate dependant on the voltage level of the battery.

Again, measure the auxiliary battery voltage. For the BCDC to be operating, the voltage should exceed 13.2V.

- C. With solar input.

Insert a solar input Anderson plug. The BCDC Solar LED should illuminate and the Stage LED should illuminate dependant on the voltage level of the battery.

END BCDC WIRING INSTRUCTIONS

FITTED PRODUCT – 4340130 AUXILIARY BATTERY TRAY & BCDC KIT

