



FITTING INSTRUCTIONS

ARB Rooftop Tent & Mounting Brackets

Please disregard instructions supplied with tent



Installation Time: Approx. 1.5 hours approx.

! PLEASE PROVIDE A COPY OF THESE INSTRUCTIONS TO THE CUSTOMER !

IMPORTANT:

- Read all instructions and check fitting kit contents before starting
- **This product can only be fitted to vehicles with a roof load rating of 100 kg or greater**
- If you are unsure at any point of fitting. Please contact your ARB dealer for advice.
- Fitment can be undertaken with one person, however at least two people or a required to lift the tent into place
- Kit 4100005 is only for use on cross bar types Thule Aero, Thule Wing, Thule Professional & Rhino Vortex
- Kit 4100006 is only for use on cross bar types Thule Square bar & Rhino Heavy Duty

CARE OF YOUR TENT:

Please refer to the "Owner's Manual" section at the end of this document. This should be given to the purchaser after fitting

WARRANTY:

Please refer to ARB "Warranty against defects" booklet available from your dealer. A copy of this booklet should be given to the customer.

SAFETY:

The ARB roof top tent mounting brackets must only be used for ARB tents. Use of these brackets for use other than intended may lead to product failure and pose a serious safety risk.

Fitment must be followed as per instruction, ensuring all bolts are tightened correctly. Failing to install correctly may lead to product failure and pose a serious safety risk.

TOOL LIST FOR FITMENT:

- | | |
|---|--|
| <ul style="list-style-type: none"> • Torque Wrench 0-25Nm (recommended) • Tape Measure • 13mm & 10mm Sockets | <ul style="list-style-type: none"> • Phillips driver bit • Saw for aluminium • Cleaning cloths / rags |
|---|--|

!! IMPORTANT !! other than specifically specified in this instruction

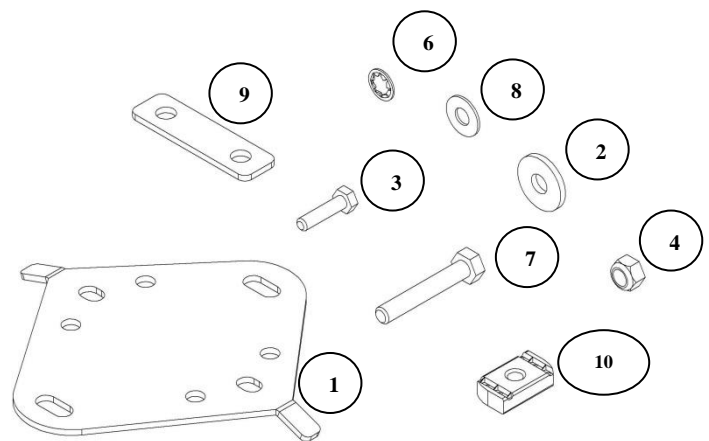
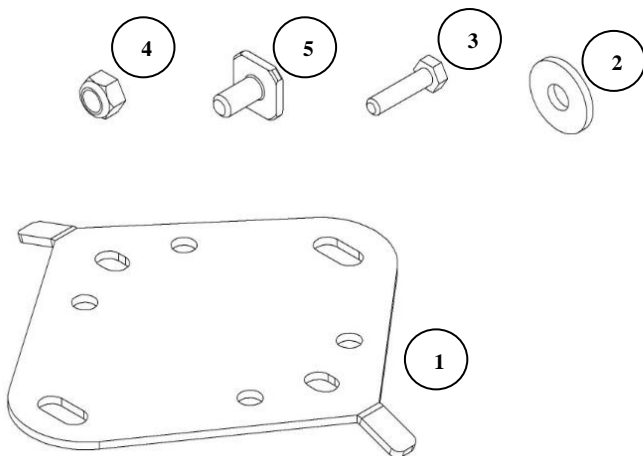
REQUIRED SCREW TORQUES: PLEASE OBSERVE IN INSTRUCTION STEPS

Screw torques must be adhered to avoid warranty issues and should be checked at vehicle service intervals.

THE BAGGED MOUNT BRACKET FITTING KIT CONTAINS:

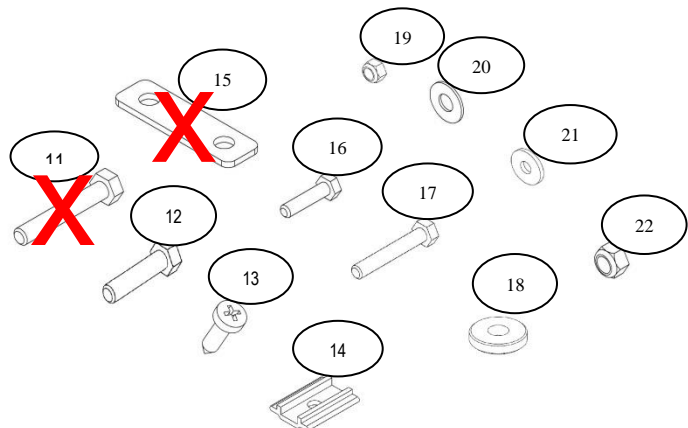
T-BOLT MOUNT KIT - #4100005			
Item	Part No	Qty	Description
1	3759394	4	Bracket mount roof top tent
2	4581303	16	Washer M8x25.4x3 black
3	6151546	8	Bolt Hex head M8x1.25x25 Gr8.8 Black
4	6151547	16	Nut Nylock M8x1.25 Black
5	6151677	8	Bolt T M8x16

SQUARE/HD MOUNT KIT - #4100006			
Item	Part No	Qty	Description
1	3759394	4	Bracket mount roof top tent
2	6151546	16	Washer M8x25.4x3 black
3	6151546	8	Bolt Hex head M8x1.25x25 Gr8.8 Black
4	6151547	16	Nut Nylock M8x1.25 Black
6	4584339	8	Washer Serrated M8 SS DIN6798
7	6151222	8	Bolt M8x1.25x50 Gr8.8 Black
8	4584328	8	Washer M8x19x1.2 Black
9	3194634	4	Plate Thule square mount Black
10	6151678	8	Nut Channel M8



THE BAGGED TENT FITTING KIT (As supplied with tent) CONTAINS:

TENT FIT KIT (included in tent)		
Item	Qty	Description
11	8	Bolt M8x55 SS-DISCARD
12	4	Bolt M8x40 SS
13	4	Screw PH Self Tapping SS
14	8	Slide Plate Extrusion
15	4	Plate Tent Base Plate Silver Zinc DISCARD
16	2	Bolt Hex head M6x20 SS
17	4	Bolt Hex head M6x45 SS
18	2	Plastic washer
19	4	Nut Nylock M6 silver
20	4	Washer M8 SS
21	12	Washer M6 SS
22	12	Nut Nylock M8 silver





BEFORE STARTING, READ ALL STEPS OF THE INSTRUCTIONS CAREFULLY AND CHECK ALL PARTS

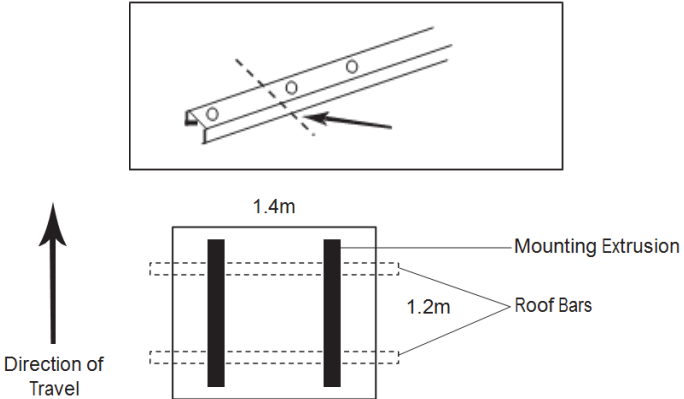
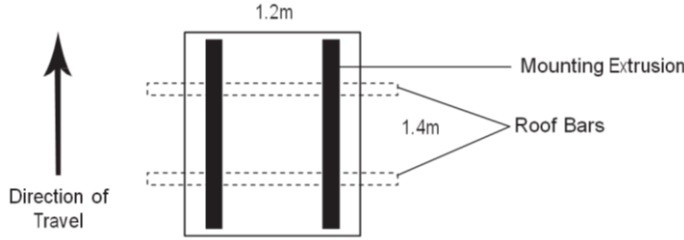
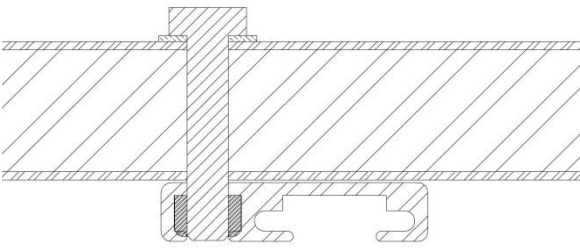
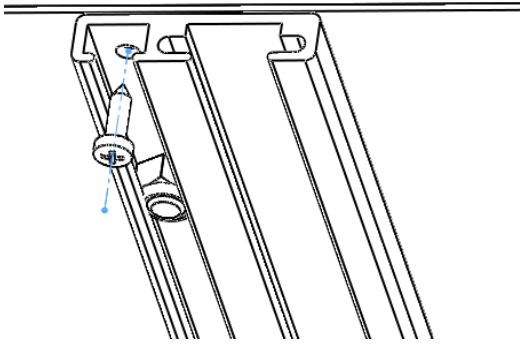
Tent fitment is completed in 6 steps:

1. **Choosing mount direction**
2. **Fitting the mount extrusions and ladder**
 - i. **“Off the Back” mounting**
 - ii. **“Off the Side” mounting**
3. **Fitting the mount brackets to cross bars**
 - i. **For T-bolt types**
 - ii. **For Thule square bar**
 - iii. **For Rhino HD bar**
4. **Fitting tent to mount brackets**
5. **Tent operation checks**
6. **Filling out fitting record**

SECTION 1: Choosing mount direction:

	<p>Before you fit your new rooftop tent to your vehicle, you will need to decide whether you wish to have the rooftop tent open “off the back” or “off the side” of your vehicle.</p>
	<p>“Off the back” mounting</p> <p>For most larger size vehicles opening “off the back” is preferable.</p> <p>The advantages of this orientation are:</p> <ul style="list-style-type: none"> - leaves extra roof space for additional storage. - with the tent open you will gain weather protection from the tent above your head when accessing the back of your vehicle <p><i>Caution: Some vehicles have tailgates which lift well above their roofline. Opening “off the back” is not suitable for these vehicles as the tent base may restrict the full range of movement of the tailgate.</i></p>
	<p>“Off the side” mounting</p> <p>For Canopies and most medium or small vehicles opening “off the side” is preferable.</p> <p>The advantages of this orientation are:</p> <ul style="list-style-type: none"> - allows for lift up tailgates to operate normally. - means the closed tent pack is better balanced on the roof and creates less wind drag as the narrow face of the tent pack is travelling forward

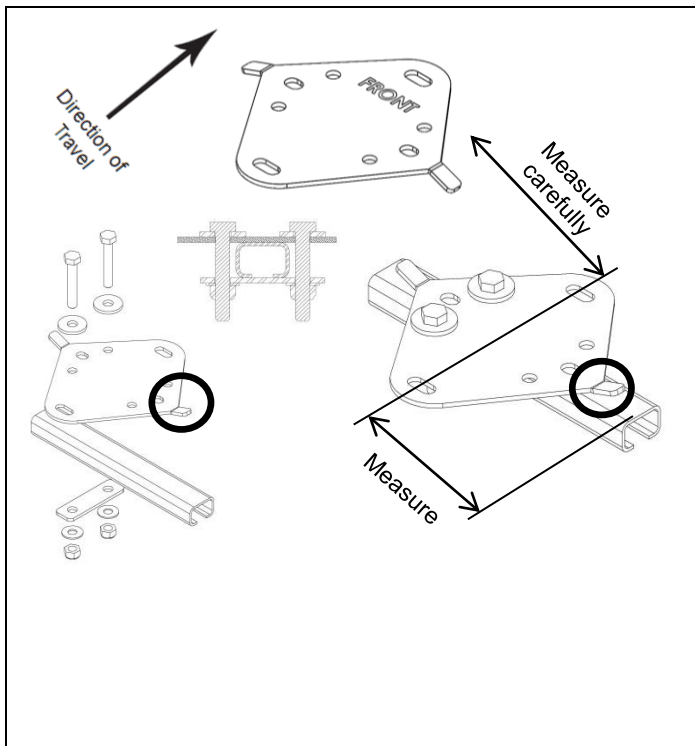
SECTION 2: Fitting the Mount Extrusions and Ladder:

	<p>2. i.. “Off the back” mounting</p> <p>2.1) For off the back mounting only, cut the mount extrusion on both ends – leaving the second drilled hole</p> <p>2.2) For off the back mounting align the mounting extrusions to run along the shortest direction of the tent</p>
	<p>2. ii.. “Off the side” mounting</p> <p>2.3) For off the side mounting align the mounting extrusions to run along the shortest direction of the tent</p>
<p style="text-align: center;">Inside of tent</p>  <p style="text-align: center;">Outside of tent</p>	<p>2.4) To mount the extrusions use M8x40 Stainless steel bolts (11) M8 Stainless steel washers (20) and M8 silver nylock nuts (22)</p> <p>2.5) Stand the tent on a clean surface on its side</p> <p>2.6) Slide your hand between the mattress and the base of the tent and push the bolt through the pre-drilled hole (4 places)</p> <p>2.7) Slide the nut into the smaller channel of the mount extrusion align the mount extrusion as noted in step 2.i. & 2.ii. and lightly tighten bolts</p> <p>2.8) Check the mount direction.</p> <p style="text-align: center;">!!Tighten bolts to 9Nm!!</p>
	<p>2.9) Using the Self tapping screws (13), screw the mount extrusion to the tent base on all four corners in the outermost pre-drilled hole</p>

	<p>2.10) To mount the ladder to the ladder brackets use M6x20 Stainless steel bolts(16) M6 Stainless steel washers (21) top and bottom and M6 silver nylock nuts (21). Fit as shown in the diagram (left)</p> <p>2.11) To mount the ladder to the tent base use M6x45 Stainless steel bolts(17) M6 Stainless steel washers (21) top and bottom and M6 silver nylock nuts (21).</p> <p>2.12) Locate the pre-drilled holes on the edge of the tent base.</p> <p>!!Tighten all bolts to 4Nm!!</p>
	<p>2.13) Insert the M8x25 black bolts (3) into the Slide plate extrusion (14) and slide the extrusion into the mount extrusion. Place 4 mounts in each channel (2 per corner)</p>

SECTION 3: Fitting the mount brackets to the roof rails:

	<p>3.1) Measure the distance between the mount bolts at the front and rear carefully</p> <p>3.2) Remove roof rail rubbers</p>
	<p>3. i.. T-Bolt mounting</p> <p>3.3) Pick up the roof top tent mount bracket (1) – Pay attention to the end etched “FRONT” – this end should be in the direction of travel.</p> <p>3.4) Slide 4 M8x16 T-Bolts (5) into each the cross bar extrusion. Place the brackets WITH THE FOLDED EDGES FITTING INSIDE THE CHANNEL onto the T-Bolts and loosely fit an M8x25 black washer (2) and an M8 nylock nut (4) to each T-Bolt</p> <p>3.5) Measure the distance between the mount bracket holes carefully. Match the size to what was measured in step 3.1. Measure to the outsides of the roof bars to help centre the brackets on the roof.</p> <p>!!Tighten the M8 nuts to 9Nm!!</p>

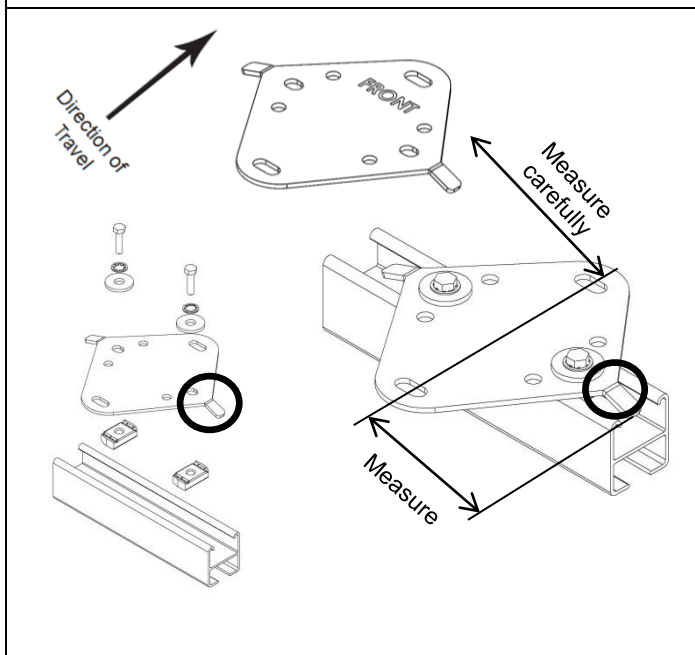


3. ii.. Thule square bar mounting

- 3.6) Pick up the Roof top tent mount bracket (1) – Pay attention to the end etched “FRONT” – this end should be in the direction of travel.
- 3.7) Place the brackets on top of the Cross bar, **with the folded edges facing up**. Loosely fit a Thule square mount plate (9) around each the cross bar using M8x50mm Black bolts (7), 2 M8x25 large black washers (2) on top, M8x19 small black washers (8) on the bottom and M8 black nylock nuts (4).
- 3.8) Measure the distance between the mount bracket holes carefully. Match the size to what was measured in step 3.1. Measure to the outsides of the roof bars to help centre the brackets on the roof.

Note: it may be necessary to fit on either the inner or outer pair of holes in the Roof top tent mount bracket to fit round mounting feet.

!!Tighten the M8 nuts to 15Nm!!

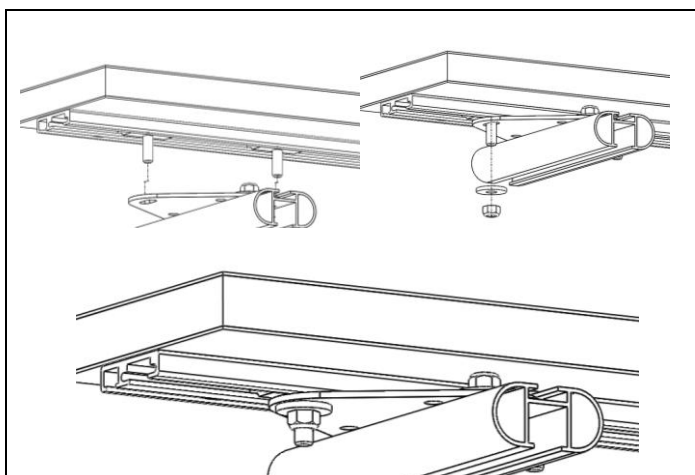


3. iii.. Rhino HD bar mounting

- 3.9) Pick up the roof top tent mount bracket (1) – Pay attention to the end etched “FRONT” – this end should be in the direction of travel.
- 3.10) Slide 4 M8 Channel nuts (10) into each the cross bar extrusion. Place the brackets **WITH THE FOLDED EDGES FITTING INSIDE THE CHANNEL** onto the crossbars and loosely fit an M8x25 black Bolt (3) and an M8 serrated washer (6) and M8x25 Black washer (2) to each channel nut.
- 3.11) Measure the distance between the mount bracket holes carefully. Match the size to what was measured in step 3.1. Measure to the outsides of the roof bars to help centre the brackets on the roof.

!!Tighten the M8 Bolts to 15Nm!!

SECTION 4: Fitting the tent to the Mount brackets:



- 4.1) Clean the roof of the vehicle and reinstall roof rail rubbers
- 4.2) With assistance lift the tent over the top of the brackets and slide the M8 bolts hanging from the base of the tent into the holes in the mount brackets
- 4.3) Fit an M8x25 Black washer (2) and M8 Black Nylock nut (4) to each of the tent mounting bolts

!!Tighten the M8 Bolts to 15Nm!!

SECTION 5: Tent operation checks:



- 5.1) Open the tent fully as per the Setup instructions in the owner's manual section below
- 5.2) Check that all parts work without binding or jamming. Contact your ARB dealer if you have any concerns.

A Ladder extension may be required depending on the height of your vehicle (in most cases where the base of your rooftop tent is more than 2m off the ground).



If required slide ladder extension into the base of the main ladder. Position ladder and extension to an appropriate climbing angle. Drill two 8mm holes into the main ladder to accept the two locking pins from the ladder extension.

The overlap of the ladder extension to the main ladder must not be less than 240mm

Ladder extension is stored separately in its own bag

COMPLETE SECTION 6 ON NEXT PAGE

SECTION 6: Tent checks & fitting record:

ARB – Roof Top Tent Mount Kit						
Tent mount kit part number	4	1	0	0	0	0
Warranty						
<ul style="list-style-type: none"> Refer to ARB Products “Warranty Against Defects” booklet, available from your ARB dealer. ARB provides a 2 year / 40,000km warranty with this product from date of purchase via the original purchaser. This warranty does not cover modifications / alterations, improper installation, abuse / misuse, accident, lack of maintenance, normal wear and tear and exposure to harsh chemicals or solvents. 						
Safety Warnings						
<ul style="list-style-type: none"> This product is designed for Thule or Rhino Vortex roof bars, ARB does not warrant installation on other products. Always observe local safety laws for long/overhanging loads when installing. Loaded roof rack systems will affect the vehicles cross wind sensitivity, cornering and braking characteristics. <u>Driving techniques should be altered to suit by reducing corner speed and increasing braking distance.</u> <u>Do not make any modifications to the tent mounting system brackets such as drilling or bending.</u> Do not allow solvents, chemicals or oils to contact the tent, as damage can occur. 						
Maintenance Requirements						
<ul style="list-style-type: none"> After the first 500km after fitment and at routine vehicle service schedules, screw torques as described in this fitting instruction should be checked. (Please ask the company that fitted your canopy for a copy of the fitting instructions) or contact ARB. To clean, only use quality car care mild detergents, waxes and polishes. Do not use abrasive compounds unless conducting repairs. Tent mounting systems are highly structural, routinely check for signs of corrosion and movement. Consult you ARB dealer immediately if you have concerns Refer to the care instructions at the end of this document for further detail 						
Dealer Name and code: (or CUSTOMER for customer fitment)		Date:				
Vehicle registration:		Vehicle Vin No:				
Number of Kms:		Order No:				
Cross bar type (tick):	Thule Wing/Aero/Prof: <input type="checkbox"/>	Rhino Heavy Duty: <input type="checkbox"/>	Awning also fitted: <input type="checkbox"/>			
	Thule Square: <input type="checkbox"/>	Rhino Vortex: <input type="checkbox"/>				
Vehicle pre-existing damage / condition check (details):						
						(Tick)
All screw torques completed as detailed in the instructions – ! Important !						
All zips operate without binding						
All window tension wires are included and fit						
This booklet is placed with vehicle manual						
Comments:						

Operations Manual ARB “Pilbara” Tent

1. Remove the travel cover from the tent by unzipping around the 3 edges and slide the remaining edge from the rope track.



2. Release the hold down velcro straps on each side of the tent. **NB - When closing the tent, do not use excessive force on the side retaining velcro straps. See caution below.**

3. Slide out the ladder until the locking pins engage. The ladder can now be used as a lever to open the tent.



4. Rest the ladder on the ground, and enter the tent. Release the four bungee cords from one side of the tent.



Note: if the angle of the ladder is too upright or does not reach the ground you will require a ladder extension. See below.

5. Retrieve the spring steel rods (SSR), these are used to tension the outside window awnings and flysheet. Hook the shaped end of the SSR into the eyelet of the flysheet or window awning. Insert the other end of the SSR into the hole in the base of the rooftop tent, passing through the eyelet in the rooftop tent skirt. This will require you to bend the SSR so that the angle of the SSR is equal to the angle of the hole into which it should be inserted. **NB reverse this procedure to remove the SSR from the hole in the base of the rooftop tent.**



6. Repeat all the above steps in the reverse order to pack away your rooftop tent.

Operations Manual ARB “Kakadu” Tent

1. Remove the travel cover from the tent by unzipping around the 3 edges and slide the remaining edge from the rope track.



2. Release the hold down velcro straps on each side of the tent. **NB - When closing the tent, do not use excessive force on the side retaining velcro straps. See caution below.**



3. Slide out the ladder until the locking pins engage. The ladder can now be used as a lever to open the tent.



4. Rest the ladder on the ground, and enter the tent. Release the four bungee cords from one side of the tent.



Note: if the angle of the ladder is too upright or does not reach the ground you will require a ladder extension. See below.

5. Retrieve the spring steel rods (SSR), these are used to tension the outside window awnings and flysheet. Hook the shaped end of the SSR into the eyelet of the flysheet or window awning. Insert the other end of the SSR into the hole in the base of the rooftop tent, passing through the eyelet in the rooftop tent skirt. This will require you to bend the SSR so that the angle of the SSR is equal to the angle of the hole into which it should be inserted. NB reverse this procedure to remove the SSR from the hole in the base of the rooftop tent.



6. Repeat all the above steps in the reverse order to pack away your rooftop tent.

Operations Manual ARB "Simpson" Tent

1. Remove the travel cover from the tent by unzipping around the 3 edges and slide the remaining edge from the rope track. See (1)

2. Release the hold down velcro straps on each side of the tent. See (2)

NB - When closing the tent, do not use excessive force on the side retaining velcro straps. See caution on page 7.

3. Slide out the ladder until the locking pins engage. The ladder can now be used as a lever to open the tent. See (3)

4. Rest the ladder on the ground.

Note: if the angle of the ladder is too upright or does not reach the ground you will require a ladder extension. See page 7.

5. Slide out the U-shaped aluminium veranda bow. See (4)

To tighten the bow, rotate the tube on both sides of the bow to lock it in position. See (5)

6. Extend and tighten the extendable bow inside the tent. locks in position in the same way as the veranda bow in (5) above See (6)

Enter the tent and release the four elastic bungee cords from one side of the tent.

7. Retrieve the spring steel rods (SSR), these are used to tension the outside window awnings and flysheet. Hook the shaped end of the SSR into the eyelet of the flysheet or window awning. Insert the other end of the SSR into the hole in the base of the rooftop tent, passing through the slit in the rooftop tent skirt. This will require you to bend the SSR so that the angle of the SSR is equal to the angle of the hole into which it should be inserted. NB reverse this procedure to remove the SSR from the hole in the base of the rooftop tent. See (7)

8. Your Rooftop tent is now setup. If you have also purchased and ARB Rooftop Tent Annexe please follow the instructions on the following page.

9. Repeat all the above steps in the reverse order to pack away your rooftop tent. When packing away your tent, depending on your bedding volume it may be necessary to take your pillows out of the tent.



Operations Manual ARB "Simpson" Tent

1. Remove the Annexe from its bag and unzip the back panel from the rest of the Annexe if necessary. This is the panel with a large inverted U-shaped zip for access to the vehicle. Slide the rope section of this panel into the rope track extrusion situated on the base of the tent. See ①

2. Tension the back panel and peg to the ground ensuring that the mud flap skirt is taught. See ②

3. Using the large section of the Annexe thread the rope section of each side into the appropriate side of the rope track extrusion on the base of the tent. See ③

4. Thread the remaining short piece of rope section around the corner piece into the rope track on the front of the base. See ④

5. Engage the zip sewn on the veranda skirt with the half of the zip on the annexe and zip completely around the veranda section of the tent. See ⑤

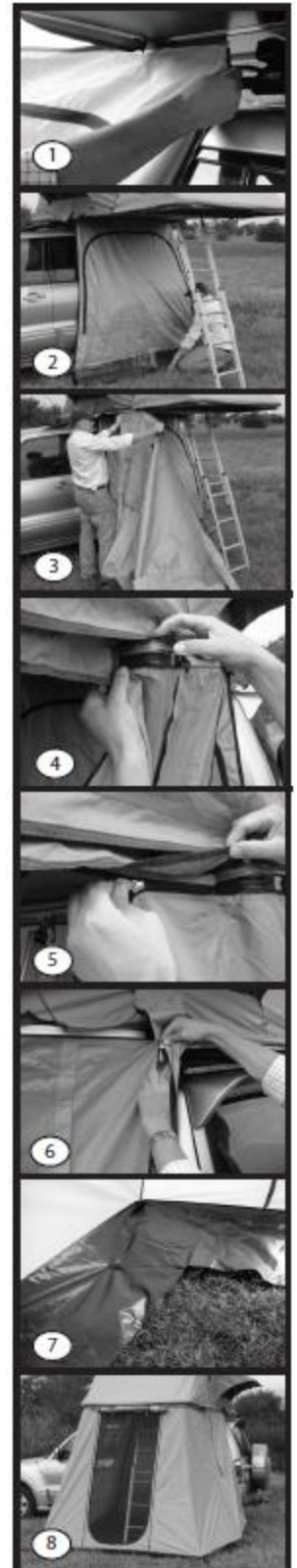
6. Engage the side zips that attach the back panel with the side walls of the annexe, and zip down to the ground. See ⑥

7. Arrange and secure the mud flaps with the pegs provided. See ⑦

8. Square out the floor of the annexe and peg into the ground using the supplied pegs, using the strap adjusters to tension the annexe. See ⑧

Note:

- The annexe can be used without the back panel.
- The annexe is stored separately in its own bag.



Care and Maintenance

Cautions

- **Do not use excessive force on side retaining Velcro straps when closing the tent.** These straps are designed only to hold the tent base together, and are not designed to be used to pull the bases together. When you are closing the tent, hold down the top folded base to compact the tent, then use the Velcro straps to secure the bases in this position. These straps will tear out of the tent if excessive force is applied to the strap.
- **Do not store the tent wet.** If you do have to pack away when the tent is wet, zip closed all canvas doors and windows to protect the inside of the tent, and pack away. As soon as you can, open the tent and let it dry out thoroughly to prevent mould, mildew and rot. **If the tent is to be closed up for extended periods of time it is very important that the tent is completely dry.**
- **Do not drill locking holes below the existing locking pin holes in the ladder.** This will weaken the structure of the ladder and can cause injury. If you need to extend the length of your ladder, please purchase a ladder extension. If you need to shorten the ladder you can drill holes above the existing ladder locking pin holes.
- **Be aware that with a rooftop tent fitted to your vehicle the overall height is increased.** You should measure the overall height of your vehicle with the rooftop tent fitted as you will need this information to decide if the vehicle can enter carparks etc.
- **Loaded roof rack systems will affect** the vehicles cross wind sensitivity, cornering and braking characteristics. **Driving techniques should be altered to suit by reducing corner speed and increasing braking distance.**
- **Always observe local safety laws** for long/overhanging loads when installing.
- **In trip inspections.** Regularly check that all nuts and bolts attaching your rooftop tent to the roof of your vehicle are tight and in good repair. Travel cover straps should be checked that they are tight and the zipper should be fully closed.
- **Do not force the Zipper.** The zipper is not designed to be forced closed or to have load applied to it. Always bring the two unzipped sections of zip together and **ONLY** pull the slider in the direction of travel of the zipper, **NOT** at an angle adjacent to as this will damage the zipper and cause it to fail. If the zipper is stiff to operate, clean dust and debris from the zipper with a soft brush before opening it further. The zipper can be lubricated with commercially available zipper lubricant or paraffin wax.

Storage of the Tent

1. If the tent is stored on the vehicle for extended periods and is exposed to the elements, it is possible for the tent to absorb moisture from the air into the canvas fabric. For this reason the tent should be opened periodically and allowed to air or dry. It is not recommended to store the tent on the vehicle during winter months or periods of extended rain.
2. When storing the tent off the vehicle, ensure the tent is packed away completely dry and kept out of direct sunlight. If the tent is stored in humid conditions, unzip or remove the travel cover to allow the canvas to breathe and dry. It is recommended to store the tent indoors in a warm, dry environment.
3. Be careful not to drag the tent on the ground. This will damage the cover and allow potential water ingress the next time you use your rooftop tent.
4. Do not store directly on a concrete floor.

Care Instructions

1. Clean all parts of the tent with cold water and a soft brush only - do not use soap or detergent as these may damage the coating on the fabric, or cause corrosion to metal and alloy parts. Pay particular attention to remove dirt, bird droppings and vegetation such as leaves as these can cause the tent to rot when packed away.
2. Clean the travel cover regularly to reduce the effects of acid rain and other air born contaminants. To extend the life of the PVC cover, regularly treat with a UV protectant such as '303 Aerospace Protectant' or 'Armour All Protectant'.
3. Do not expose any part of the tent to petrol, oil, solvents or similar.
4. Zippers should be cleaned regularly by brushing with a soft brush and wiping with a damp cloth. Zippers that become stiff to operate may be lubricated periodically with commercially available zipper lubricant or paraffin wax.
Note: Do not over lubricate as this may attract dust and debris.
5. New poly/cotton canvas may initially experience some weeping through the seams. This will reduce over time as the fabric cures.
6. Well-worn fabrics may be re-proofed using a good quality waterproofing solution.
7. Always air your tent before and after use to allow any moisture or condensation to dissipate. The travel cover has welded seams and is near water tight to keep the elements out. As soon as the travel cover is fitted and warms up in sunlight it can heat any trapped moisture which will create an environment where mould, mildew and rot can set in quickly.
8. If mould and mildew is found on any part of the tent fabric, allow the tent to dry thoroughly in the sun to prevent it spreading. Use a soft bristled brush to remove any particles. Mildew remover may be effective but test first on an obscure part of the tent fabric. DO NOT use any bleach solutions on the fabric as they may discolour the tent and damage the PU coating on the fabric. The best cure for mould and mildew is to prevent its growth in the first place by ensuring the tent is packed and stored thoroughly dry.