

**PRODUCT
INFORMATION**

LONGRANGER

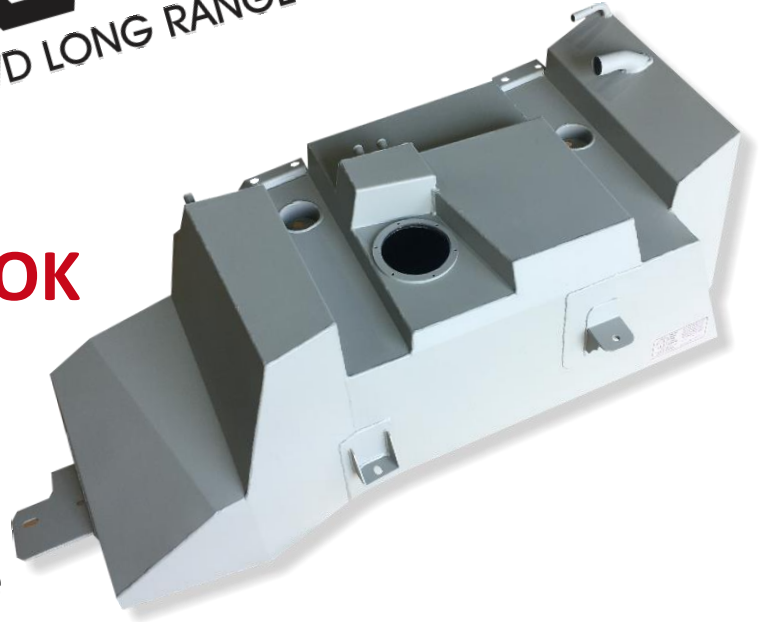
4WD LONG RANGE FUEL & WATER TANKS

VOLKSWAGEN AMAROK

V6 Turbo Diesel – All Models
September 2016 on

TR76S – High Clearance Model

Replacement Tank Capacity - 120 Litre
Original Tank Capacity – 80 Litre



With the latest offering from VW coming in the form a power house V6 turbo diesel just begging to tow heavy and head off touring. The Long Ranger has and exciting new model to keep you travelling more and filling up less.

The *High Clearance* model (TR76S) lifts the bottom of the tank approximately 30mm higher than the original factory tank while still boasting a 50% increase in fuel carrying. With the massive increase in ground clearance and the 120L capacity the TR76S is a perfect choice for the more hard-core tourer. Impressively offering a 1480km range (8.1L/100km VW AUST) a drive from Brisbane to Townsville could be done with fuel to spare.



3Years
Warranty

**OUT OF
TOWN
4WD** 4X4
ACCESSORIES

ARB

4X4 ACCESSORIES

www.thelongranger.com.au