

**PRODUCT
INFORMATION**

LONGRANGER

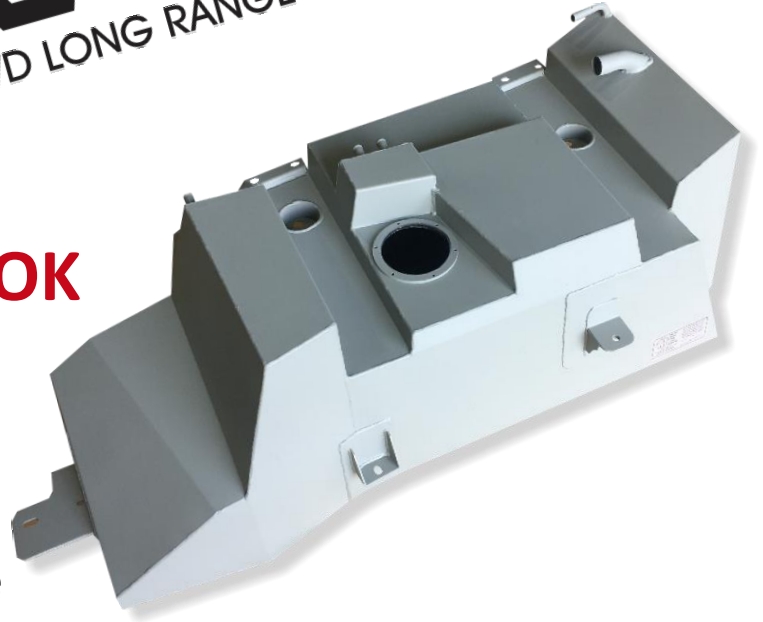
4WD LONG RANGE FUEL & WATER TANKS

VOLKSWAGEN AMAROK

V6 Turbo Diesel – All Models
September 2016 on

TR76L – High Capacity Model

Replacement Tank Capacity - 145 Litre
Original Tank Capacity – 80 Litre



With the latest offering from VW coming in the form a power house V6 turbo diesel just begging to tow heavy and head off touring. The Long Ranger has an exciting new model to keep you travelling more and filling up less.

The **High Capacity** model (TR76L) boosts the fuel carrying to 145L, that's an 81% increase on the factory offering of only 80L. With the TR76L only approximately 15mm lower than the factory tank there is minimal impact on ground clearance with this high capacity option. An expected range of 1790km (8.1L/100km VW AUST) will see you able to get from Melbourne to Brisbane with no fuel stops.



3Years
Warranty

**OUT OF
TOWN
4WD** 4X4
ACCESSORIES

ARB

4X4 ACCESSORIES

www.thelongranger.com.au